



mates italiana srl
 PRODUCTS & TECHNOLOGIES FOR ADVANCED COMPOSITES

IMPREGNATING MACHINE MANUAL H 1300 / H 650

IMPREGNATING MACHINE AT A LOW COST WITH MANUAL WORKING .IT IS SUITABLE TO PRODUCE PRE-PREGS REINFORCEMENTS. USEFUL WIDTH 1250 - 620 MM. CONTROLLED SQUEEZING OF RESIN OUT FROM THE FABRICS AND DRAGGING ON THE REWINDING.

THIS IMPREGNATING MACHINE H650 HAS BEEN DESIGNED EXPRESSLY ON MATES PROJECT WITH THE MAIN PURPOSE TO HAVE AN UNIT CAPABLE OF GETTING AND MAINTAINING A UNIFORM IMPREGNATING IN HAND WORKING. NO ENGINE AND NO ELECTRONIC CONTROL MAKE IT **A VERY SIMPLE MACHINE** SUI-

TABLE TO BE USED IN EVERY SHOP-FLOOR TO SPEED UP THE IMPREGNATING PHASE AND TO MAKE EASIER HAND LAY UP. THESE NEW

TECHNOLOGICAL CHARACTERISTICS COME OUT FROM THE EXPERIENCE ACQUIRED USING THE IMPREGNATING MACHINE FL 650, THE FORMER MODEL, EQUIPPED WITH ENGINE AND MICROPROCESSOR CONTROL OF ALL THE PARAMETERS.

THE MODELS **H650/1300 IS AN ENTRY LEVEL MACHINE** FOR PROCESSING AT A VERY LOW-COST AND

TO BE USED AS A SECOND BACK-UP UNIT IN ADDITION TO THE MAIN ONE WHENEVER THERE IS A PRODUCTION CAPABILITY OVERFLOW.

IT HAS AN IMPREGNATING TANK THAT CAN ACCEPT EVERY KIND OF RESIN ,WITH CHARGES TOO, OR AT HIGH VISCOSITY.

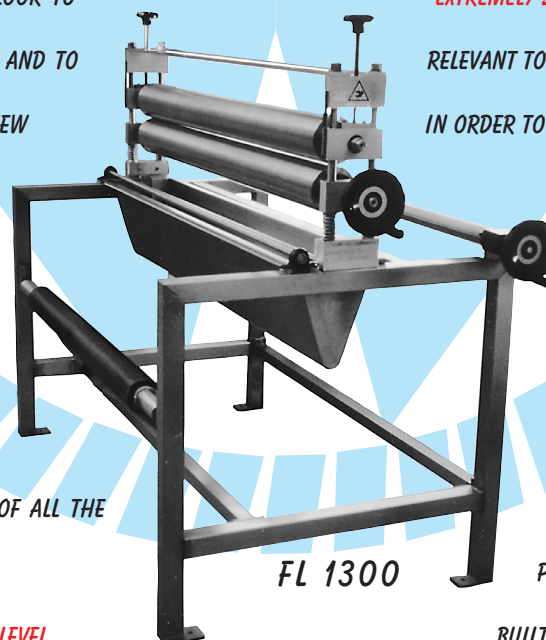
EXTREMELY SIMPLIFIED ARE ALL THE OPERATIONS RELEVANT TO THE CHANGE OF THE REINFORCEMENT , IN ORDER TO REDUCE WASTE.

FOR ALL THESE FEATURES IT CAN BE USED FOR EVERY KIND OF PROCESS , WHENEVER IT IS NEEDED TO LAY UP FABRICS **DIFFERENT IN WEIGHT AND IN PRODUCT TYPE.**

THE MAIN STRUCTURE AND ALL THE PARTS IN CONTACT WITH RESINS ARE

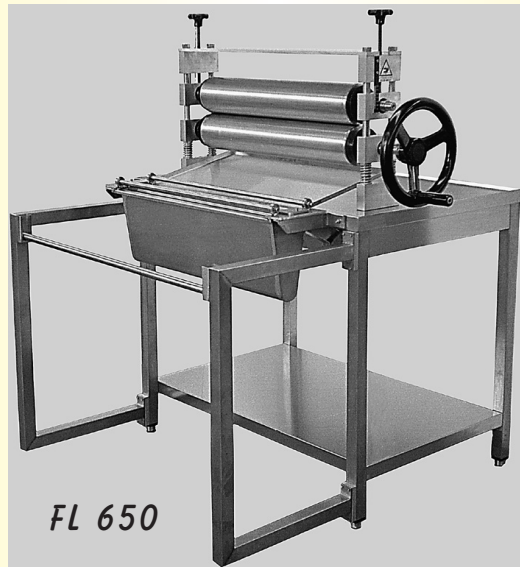
BUILT IN STAINLESS STEEL, SHOULDERS SUP-

PORTING ROLLS ADJUSTMENTS ARE IN ALUMINIUM ALLOY.



FL 1300

MAIN TECHNICAL CHARACTERISTICS



⇒ CONSTRUCTION MAINLY IN STAINLESS STEEL

⇒ CYLINDERS CLOSING ADJUSTABLE

⇒ ANTERIOR TANK FOR SOAKING

⇒ SUITABLE FOR FABRICS, UNIDIRECTIONALS, MULTIAXIALS WITH A WEIGHT FROM 50GR/M2 TO 1800 GR/M2

⇒ COMPLYING WITH SAFETY RULES IN FORCE

⇒ USEFUL WIDTH MM 1300 OR MM 650

⇒ SLIDING TANK TO MAKE AN EASY CLEANING

⇒ BACK REWINDING DRAGGING.

⇒ DURING THE REWINDING POSSIBILITY TO INSERT A PROTECTIVE FILM.

⇒ MACHINE ASSEMBLED OPTIONALLY WITH WHEELS FOR EASY MOVEMENT.

⇒ CLEANING OF THE CYLINDERS EXTREMELY SIMPLIFIED THANK TO THE HIGH PRECISION OF ROLLS COUPLING

⇒ TANK CONTENT FROM KG.3 TO KG.20 OF MIXED PRODUCTS

⇒ APPROXIMATE DIMENSIONS: 1400X 1200X 1100 MM. WEIGHT: KG.70

⇒ STANDARD METER COUNTER

MATES ITALIANA SRL - VIA PACINOTTI, 4 - 20090 SEGRATE (MI) - TEL + 39 02 92160357 - TELEFAX + 39 02 92160231
E-MAIL: INFO@MATES.IT WEBSITE: WWW.MATES.IT

ALL STATEMENTS, INFORMATION, AND DATA GIVEN HERE IN ARE BELIEVED TO BE ACCURATE AND RELIABLE BUT ARE PRESENTED WITHOUT GUARANTY, WARRANTY OR RESPONSIBILITY OF ANY KIND, EXPRESS OR IMPLIED. STATEMENTS OR SUGGESTIONS CONCERNING POSSIBLE USE OF OUR PRODUCTS ARE MADE WITHOUT REPRESENTATION OR WARRANTY THAT ANY SUCH USE IS FREE OF PATENT INFRINGEMENT, AND ARE NOT RECOMMENDATIONS TO INFRINGE ANY PATENT.