

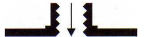








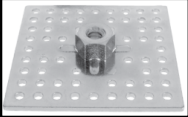

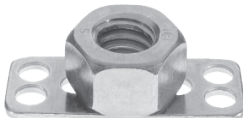









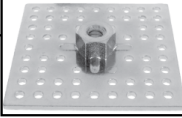

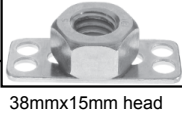



## F1 SERIES - FEMALE NUTS - MILD STEEL

Product Code	Thread Size		
F1/B19-M4HEX	M4	 Blind	 19mm diameter head
F1/S20-M4HEX	M4	 Sighted	 20mm diameter head
F1/S20-M6HEX	M6		
F1/B23-M4HEX	M4	 Blind	 23mm diameter head
F1/B23-M10HEX	M10		
F1/S23-M4HEX	M4	 Sighted	
F1/S23-M6HEX	M6		
F1/S23-M8HEX	M8		
F1/B38-M4HEX	M4	 Blind	 38mm diameter head
F1/B38-M8HEX	M8		
F1/B38-M10HEX	M10		
F1/S38-M6HEX	M6	 Sighted	
F1/S38-M8HEX	M8		
F1/S38-M10HEX	M10		
F1/S38-M12HEX	M12		
F1/S58-M8HEX	M8	 Sighted	 58mm square head
F1/S58-M12HEX	M12		
F1/T38-M6HEX	M6	 Blind	 38mmx15mm head
F1/ST38-M4HEX	M4	 Sighted	
F1/ST38-M5HEX	M5		
F1/ST38-M6HEX	M6		
F1/ST38-M8HEX	M8		
F1/ST38-M10HEX	M10		

## F1 SERIES - FEMALE NUTS - STAINLESS STEEL

Product Code	Thread Size	
SF1/S23-M4HEX	M4	 23mm diameter head
SF1/S23-M5HEX	M5	
SF1/S23-M6HEX	M6	
		 Sighted
SF1/B32-M8HEX	M8	 32mm square head
SF1/B32-M12HEX	M12	
		 Blind
SF1/S32-M5HEX	M5	 32mm square head
SF1/S32-M6HEX	M6	
SF1/S32-M8HEX	M8	
SF1/S32-M10HEX	M10	
SF1/S32-M12HEX	M12	
		 Sighted
SF1/S38-M6HEX	M6	 38mm diameter head
SF1/S38-M8HEX	M8	
SF1/S38-M12HEX	M12	
		 Sighted
SF1/S58-M12HEX	M12	 58mm square head
		 Sighted
SF1/ST38-M3HEX	M3	 38mmx15mm head
SF1/ST38-M4HEX	M4	
SF1/ST38-M5HEX	M5	
SF1/ST38-M6HEX	M6	
SF1/ST38-M8HEX	M8	
SF1/ST38-M10HEX	M10	
		 Sighted