

MK™ Dispensing Solutions

2-Component Dispensers



Smart Dispensing



2-Component Dispensers

MK™ System Overview

The MK **Manual Dispenser** product ranges

Pages 8 to 39



The MK **Battery Dispenser** product ranges

Pages 36 to 57



The MK **Pneumatic Dispenser** product ranges

Pages 58 to 83

The tradition, quality, reliability and performance of the MK™ Dispensers originally manufactured and supplied by Krøger A/S since 1922 continues into the future as part of the Sulzer Mixpac product portfolio.

Offering a range of excellent standard products, as well as a constant product development and surveillance of the market, Sulzer Mixpac is able to meet any of your various requirements. In close co-operation with manufacturers of sealants/adhesives and professional end users, we meet even very specific and stringent requirements. Adaptation and flexibility are key words for our product development. As a manufacturer, Sulzer Mixpac offers high reliability on deliveries and customized labelling of our products. With these performances we have been appointed A-supplier with Europe's leading distributors of dispensing tools.

The renowned MK dispensers will be available through Sulzer Mixpac AG and its affiliates while Sulzer Mixpac AG has entrusted Sulzer Mixpac (UK) Ltd. with the manufacture of the dispensers.

Krøger A/S was founded in 1922 and acquired by Sulzer Mixpac in 2013. The product range, which includes Manual, Battery and Pneumatic driven dispensers for any application (cartridges, sachets or bulk pack), was originally manufactured at our factory in Denmark. On May 30th, 2017, manufacturing of the dispensers was relocated to: Sulzer Mixpac (UK) Ltd., 1 Tealgate, Charnham Park, Hungerford RG17 0YT, UK. Email: coxsales@sulzer.com, Phone: +44 (0)1488 647 800.








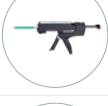





MK™ 2-Component Dispensers



Product Ranges

Smart dispensing for all applications.

	Name/ Description	Cartridge / Sachet / Bulk	Cartridge / Sachet Capacity	Cartridge Ratio	Maximum Thrust	Mechanical Advantage Ratio	Material Viscosity	Pages
Manual Dispensers								
	H236 M	cartridge	200mL (7oz)	1:1, 2:1	5kN	26:1	low/ medium	8-9
	H236 M-410	cartridge	200mL (7oz)	4:1, 10:1	5kN	26:1	low/ medium	10-11
	H8 XM	cartridge	50mL (1.8oz)	1:1, 2:1	1.3kN	12:1	low	12-13
	H239	cartridge	900mL (31.7oz)	2:1	5kN	26:1	high	14-15
	H244 s	cartridge	385mL (13.6oz)	3:1	5kN	26:1	high	16-17
	H248	cartridge	200mL (7oz)	1:1	4kN	26:1	medium	18-19
	H260 M	cartridge	350mL (12.3oz)	10:1	5kN	26:1	medium	20-21
	H285 sM	cartridge	380mL (13.4oz)	10:1	5kN	26:1	medium	22-23
	H288 N	cartridge	600mL (21.1oz)	1:1	5kN	26:1	medium	24-25
	H288 M	cartridge	600mL (21.1oz)	1:1	5kN	26:1	medium	26-27
	H293	cartridge	600mL (21.1oz)	1:1	5kN	26:1	high	28-29

MK™ 2-Component Dispensers

Product Ranges

Smart dispensing for all applications.




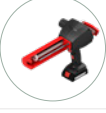

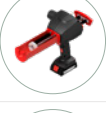
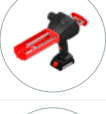
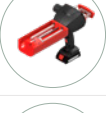

	Name/ Description	Cartridge / Sachet / Bulk	Cartridge / Sachet Capacity	Cartridge Ratio	Maximum Thrust	Mechanical Advantage Ratio	Material Viscosity	Pages
	H293 PM	cartridge	450mL (15.8oz)	2:1	5kN	26:1	medium	30-31
	H297 MN	cartridge	330mL (11.6oz)	10:1	5kN	26:1	medium	32-33
	H297 iMN	cartridge	330mL (11.6oz)	10:1	5kN	26:1	medium	34-35

MK™ 2-Component Dispensers



Product Ranges


Smart dispensing for all applications.

	Name/ Description	Cartridge / Sachet / Bulk	Cartridge / Sachet Capacity	Cartridge Ratio	Maximum Thrust	Voltage	Material Viscosity	Pages
Battery Dispensers								
	B983 M	cartridge	400mL (14oz)	1:1	5kN	18V	high	36-37
	B983 M-2:1	cartridge	400mL (14oz)	2:1	5kN	18V	high	38-39
	B938 M	cartridge	400mL (14oz)	4:1	5kN	18V	high	40-41
	B978 M	cartridge	400mL (14oz)	10:1	5kN	18V	high	42-43
	B944 K	cartridge	385mL (13.5oz), 585mL (20.6oz)	3:1	2.7kN	18V	low/ medium	44-45
	B960 M	cartridge	350mL (12.3oz)	10:1	2.8kN	18V	low/ medium	46-47
	B985 M	cartridge	380mL (13.4oz)	10:1	2.75kN	18V	low/ medium	48-49
	B959 M	cartridge	450mL (15.8oz)	2:1	4.45kN	18V	medium/ high	50-51
	B988 M	cartridge	600mL (21.1oz)	1:1	4.73kN	18V	medium	52-53
	B998 M	cartridge	825mL (29oz)	10:1	5kN	18V	medium	54-55
	B999 M	cartridge	1500mL (52.8oz)	1:1	5kN	18V	medium	56-57

MK™ 2-Component Dispensers

Product Ranges

Smart dispensing for all applications.

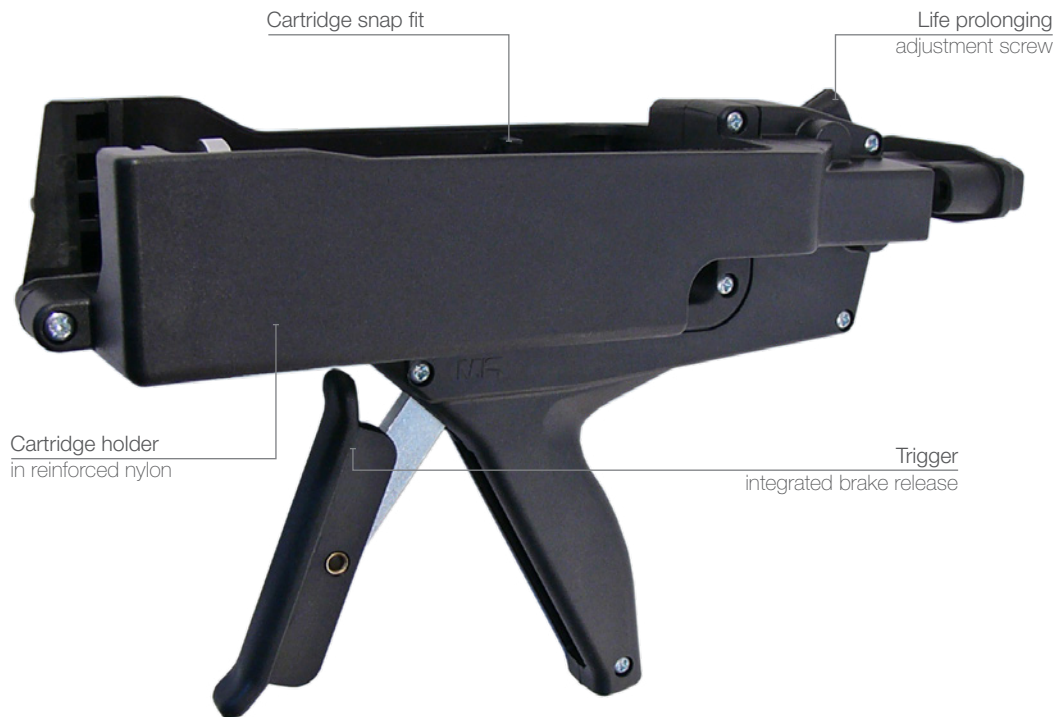
	Name/ Description	Cartridge / Sachet / Bulk	Cartridge / Sachet Capacity	Cartridge Ratio	Maximum Thrust	Pneumatic Pressure	Material Viscosity	Pages
Pneumatic Dispensers								
	TS408 HM-101	cartridge	50mL (1.8oz)	10:1	1.3kN	8bar/116psi	low	58-59
	TS408 MY-8	cartridge	50mL (1.8oz)	1:1, 2:1, 10:1	1.3kN	8bar/116psi	low	60-61
	TS408 EM	cartridge	50mL (1.8oz)	1:1, 2:1, 3:2	1.3kN	8bar/116psi	low	62-63
	TS408 BM	cartridge	50mL (1.8oz)	4:1, 10:1	1.3kN	8bar/116psi	low	64-65
	TS444 KX	cartridge	365mL (12.8oz) 585mL (20.6oz)	3:1	4kN	8bar/116psi	medium	66-67
	TS447 X-625	cartridge	580mL (20.4oz)	1:1	6.25kN	8bar/116psi	high	68-69
	TS459 XM	cartridge	450mL (15.8oz)	2:1	4kN	8bar/116psi	medium	70-71
	TS471	cartridge	1400mL (49.3oz)	3:1	8.3kN	8bar/116psi	medium/ high	72-73
	TS483 XM	cartridge	400mL (14oz)	1:1	4kN	8bar/116psi	medium/ high	74-75
	TS483 LXM	cartridge	400mL (14oz)	1:1	2.7kN	8bar/116psi	medium	76-77
	TS488 X	cartridge	600mL (21.1oz)	1:1	4kN	8bar/116psi	medium	78-79
	TS488 XM	cartridge	600mL (21.1oz)	1:1	4kN	8bar/116psi	medium	80-81
	TS493 X(T)	cartridge	600mL (21.1oz)	1:1	4kN	8bar/116psi	medium	82-83



MK™ 2-Component Dispenser

H236 M

A 2-component manual bead dispenser for 200mL cartridges.



Model shown: H236 M 200mL

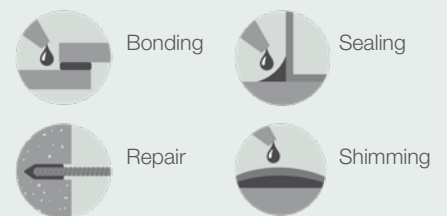
Product advantages

- Fast, reliable and easy handling
- Easy cartridge positioning and fixation snap fit
- Life prolonging adjustment screw
- Lightweight reinforced nylon frame
- Warranty up to 2 years

Customer benefits

- For precise working
- Easy cartridge ratio shift
- No loss of performance - anti-wear
- One hand operation
- Gives you long worry free performance

Applications



Product by range

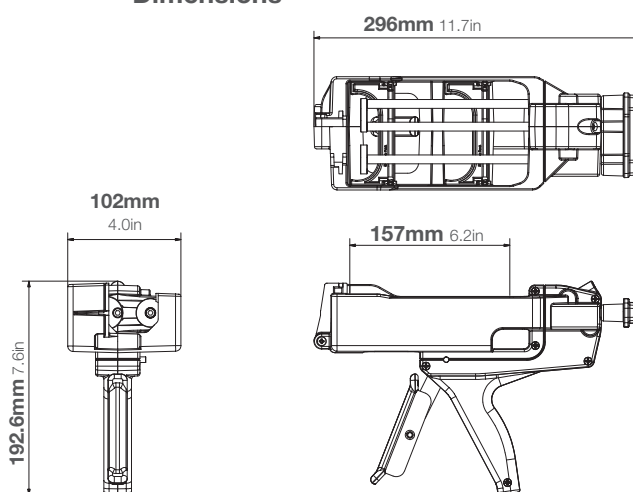


The **MK H236 M** is part of a range of manual dispensers. Designed for use with low/medium viscosity sealants and adhesives.

Specifications

- Lightweight: 1.07kg / 2.3lbs
- Cartridge Holder Length: 157mm / 6.2in
- Maximum Thrust: 5kN (stroke 3.5mm)
- Handle Material: Reinforced Nylon
- Cartridge Holder Material: Reinforced Nylon
- Cartridge Capacity: 200mL (7oz)
- Cartridge Ratios: 1:1, 2:1
- Mechanical Advantage Ratio: (26:1)
- Standard Color: Black
- Customized versions on demand

Dimensions



Part number:

DM2 200-50-100

Article number:

151746

Packaging:

Single or 10 units per Box

Matching MIXPAC side-by-side cartridges



C-System
200mL / 1:1 PP/PA



F-System
200mL / 1:1 PP/PA



C-System
200mL / 2:1 PP



F-System
200mL / 2:1 PP/PA

Compatible cartridges

Conversion kits

Matching accessories



MK™ 2-Component Dispenser

H236 M-410

A 2-component manual bead dispenser for 200mL cartridges.



Model shown: H236 M-410 200mL

Product advantages

- Fast, reliable and easy handling
- Easy cartridge positioning and fixation - snap fit
- Life prolonging adjustment screw
- Lightweight reinforced nylon frame
- Warranty up to 2 years*

Customer benefits

- For precise working
- Easy cartridge ratio shift
- No loss of performance - anti-wear
- One hand operation
- Gives you long worry free performance

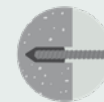
Applications



Bonding



Sealing



Repair



Shimming

Product by range



H236

H236 M-410

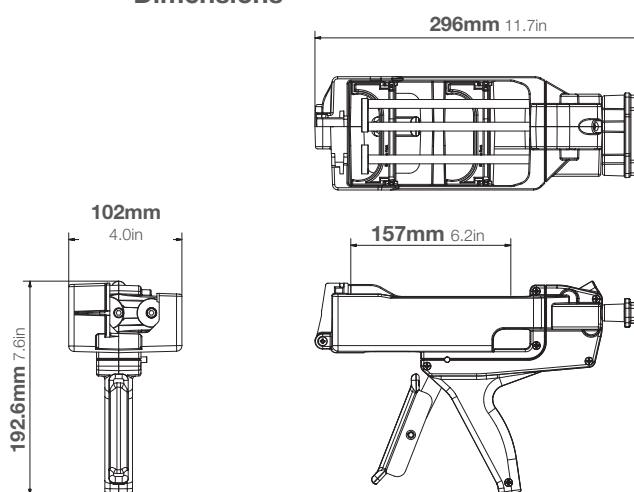
*Effective 1st July 2018

The **MK H236 M-410** is part of a range of manual dispensers. Designed for use with low/medium viscosity sealants and adhesives.

Specifications

- Lightweight: 1.07kg / 2.3lbs
- Cartridge Holder Length: 157mm / 6.2in
- Maximum Thrust: 5kN (stroke 3.5mm)
- Handle Material: Reinforced Nylon
- Cartridge Holder Material: Reinforced Nylon
- Cartridge Capacity: 200mL (7oz)
- Cartridge Ratios: 4:1, 10:1
- Mechanical Advantage Ratio: 26:1
- Standard Color: Black
- Customized versions on demand

Dimensions



Part number:

DM2 200-50-200

Article number:

151745

Packaging:

Individual or 10 units per Box

Matching MIXPAC side-by-side cartridges



C-System
200mL / 4:1 PP/PBT



F-System
200mL / 4:1 PP/PBT



C-System
200mL / 10:1 PP/PBT



F-System
200mL / 10:1 PP/PBT

Compatible cartridges

Conversion kits

Matching accessories



MK™ 2-Component Dispenser

H8 XM

A 2-component manual bead dispenser for 50mL cartridges.



Model shown: H8 XM 50mL

Product advantages

- Anti-drip, trigger integrated brake release
- Reinforced nylon frame and handle
- High gearing ratio
- One hand operation
- Warranty up to 2 years*

Customer benefits

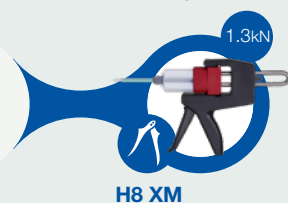
- Fast, reliable clean application
- Easy handling for precise working
- Long life technology
- Lightweight and compact
- Gives you long worry free performance

Applications



Bonding

Product by range

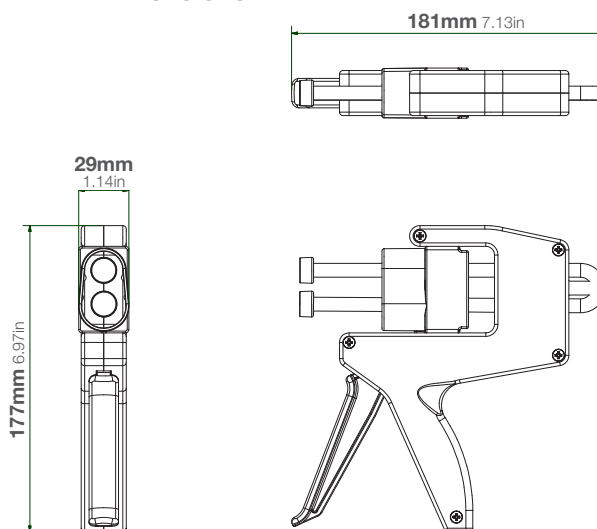


The **MK H8 XM** is part of a range of manual dispensers. Designed for use with low and medium viscosity sealants and adhesives.

Specifications

- Lightweight: 0.41kg / 0.9lbs
- Dispenser Length: 181mm / 7.13in
- Maximum Thrust: 1.3kN (stroke 5.4mm)
- Handle Material: Reinforced Nylon
- Cartridge Holder Material: Reinforced Nylon
- Cartridge Capacity: 50mL (1.8oz)
- Cartridge Ratios: 1:1, 2:1
- Mechanical Advantage Ratio: (26:1)
- Standard Color: Black/Red
- Customized versions on demand

Dimensions



Part number:

DM2 50-13-100

Article number:

151744

Packaging:

1 per Box

Matching MIXPAC side-by-side cartridges



A-System
50mL / 1:1 PP/PA



A-System
50mL / 2:1 PP/PA



B-System
50mL / 1:1 PP/PA



B-System
50mL / 2:1 PP/PA

Compatible cartridges

Conversion kits

Matching accessories



MK™ 2-Component Dispenser

H239

A 2-component manual bead dispenser for 900mL cartridges.



Model shown: H239 900mL

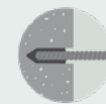
Product advantages

- Anti-drip and trigger integrated brake release
- Life prolonging adjustment screw
- Reinforced nylon frame and handle
- U-opening with cartridge snap fit
- Warranty up to 2 years*

Customer benefits

- Fast, reliable and clean application
- No loss of performance - anti-wear
- Long life technology
- Easy handling for precise working
- Gives you long worry free performance

Applications



Chemical
Anchoring

Product by range

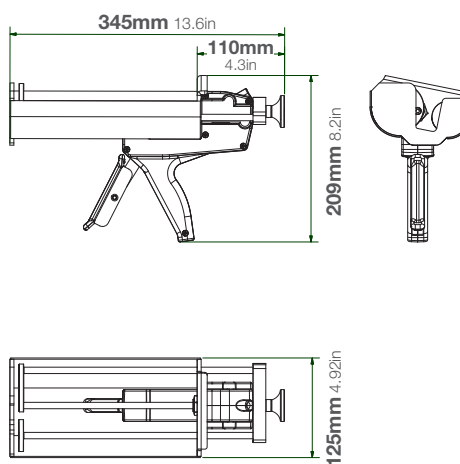


The **MK H239** is part of a range of manual dispensers. Designed for use with high viscosity sealants and adhesives.

Specifications

- Lightweight: 2.08kg / 4.5lbs
- Cartridge Holder Length: 235mm / 9.25in
- Maximum Thrust: 5kN (stroke 3.5mm)
- Handle Material: Reinforced Nylon
- Cartridge Holder Material: Steel
- Cartridge Capacity: 900mL (31.7oz)
- Cartridge Ratios: 2:1
- Mechanical Advantage Ratio: (26:1)
- Standard Color: Black/Red
- Customized versions on demand

Dimensions



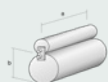
Part number:
DM2 900-50-100

Article number:
151748

Packaging:
1 per Box

Matching MIXPAC™ cartridges

Compatible side-by-side cartridges



Plastic Cartridge
900mL / 2:1 PP/PA

2:1	mm	inch
a	216.5	8.52
b	Ø 69.0	Ø 2.71
c	Ø 50.0	Ø 1.97

Conversion kits

Matching accessories



MK™ 2-Component Dispenser

H244 s

A 2-component manual bead dispenser for 385mL cartridges.



Model shown: H244 s 385mL

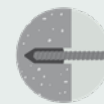
Product advantages

- Anti-drip and trigger integrated brake release
- Life prolonging adjustment screw
- Reinforced nylon barrel housing
- High gearing ratio
- U-opening with cartridge snap fit
- Warranty up to 2 years*

Customer benefits

- Fast, reliable and clean application
- No loss of performance - anti-wear
- Long life technology
- Easy handling for precise working
- Gives you long worry free performance

Applications



Chemical Anchoring

Product by range

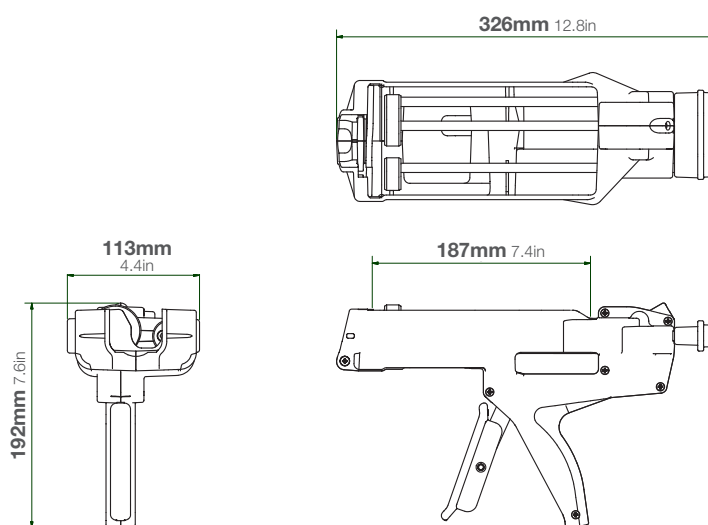


The **MK H244 s** is part of a range of manual dispensers. Designed for use with high viscosity sealants and adhesives.

Specifications

- Lightweight: 1.22kg / 2.6lbs
- Cartridge Holder Length: 187mm / 7.4in
- Maximum Thrust: 5kN (stroke 3.5mm)
- Handle Material: Reinforced Nylon
- Cartridge Holder Material: Reinforced Nylon
- Cartridge Capacity: 385mL (13.6oz)
- Cartridge Ratios: 3:1
- Mechanical Advantage Ratio: (26:1)
- Standard Color: Black
- Customized versions on demand

Dimensions



Part number:

DM2 385-50-100

Article number:

153509

Packaging:

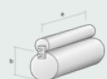
1 per Box

Matching MIXPAC side-by-side cartridges



J System
365mL 3:1 / PP

Compatible side-by-side cartridges



Plastic Cartridge
385mL / 3:1 / PP

3:1	mm	inch
a	171	6.7
b	Ø 33	Ø 1.3
c	Ø 54.4	Ø 2.1

Conversion kits

Matching accessories



MK™ 2-Component Dispenser

H248

A 2-component manual bead dispenser for 200mL cartridges.



Model shown: H248 200mL

Product advantages

- Anti-drip and trigger integrated brake release
- Life prolonging adjustment screw
- Reinforced nylon barrel housing
- High gearing ratio
- U-opening with cartridge snap fit
- Warranty up to 2 years*

Customer benefits

- Fast, reliable and clean application
- No loss of performance - anti-wear
- Long life technology
- Easy handling for precise working
- Gives you long worry free performance

Applications



Chemical Anchoring

Product by range

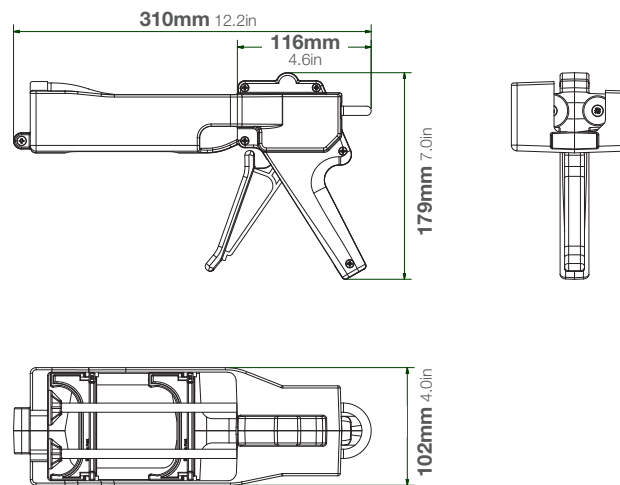


The **MK H248** is part of a range of manual dispensers. Designed for use with medium viscosity sealants and adhesives.

Specifications

- Lightweight: 0.82kg / 1.8lbs
- Cartridge Holder Length: 194mm / 7.6in
- Maximum Thrust: 4kN (stroke 5mm)
- Handle Material: Reinforced Nylon
- Cartridge Holder Material: Reinforced Nylon
- Cartridge Capacity: 200mL (7oz)
- Cartridge Ratios: 1:1
- Mechanical Advantage Ratio: (26:1)
- Standard Color: Black
- Customized versions on demand

Dimensions



Part number:

DM2 200-30-101

Article number:

154249

Packaging:

10 per Box

Matching MIXPAC™ cartridges

Compatible side-by-side cartridges



Plastic Cartridge
200mL / 1:1 PE

1:1	mm	inch
a	144.0	5.67
b	76.0	3.0
c	Ø 37.0	Ø 1.45

Conversion kits

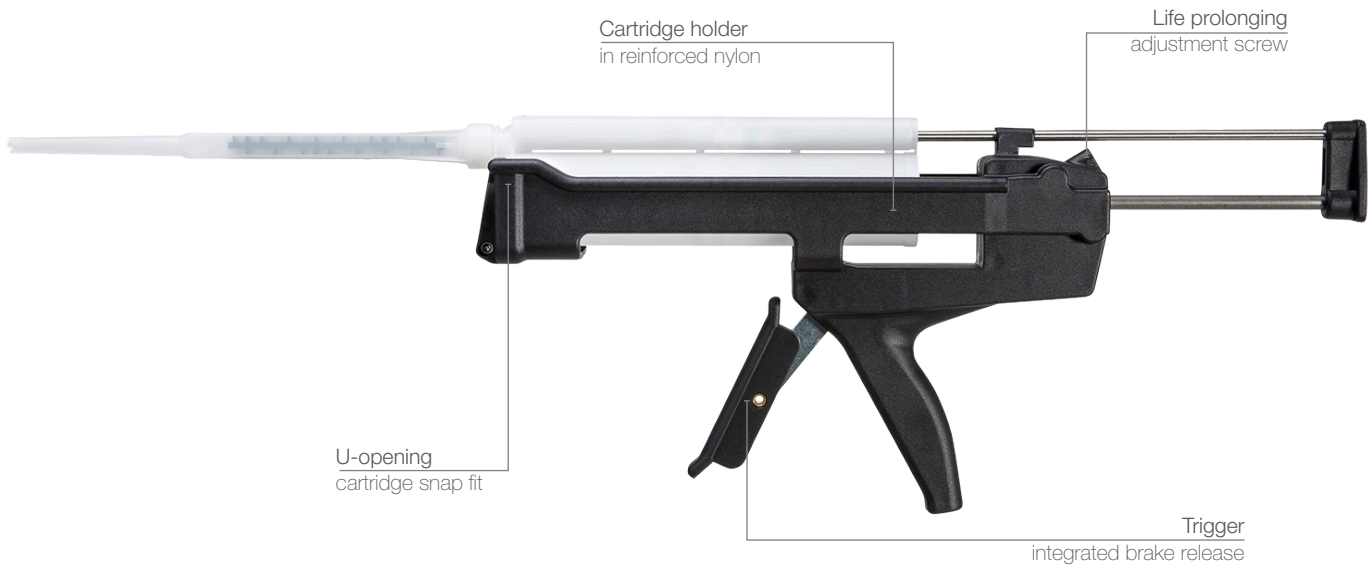
Matching accessories



MK™ 2-Component Dispenser

H260 M

A 2-component manual bead dispenser for 350mL cartridges.



Sulzer | 2-Component MK Dispenser | 20

Model shown: H260 M 350mL

Product advantages

- Anti-drip and trigger integrated brake release
- Life prolonging adjustment screw
- Reinforced nylon barrel housing
- High gearing ratio
- U-opening with cartridge snap fit
- Warranty up to 2 years*

Customer benefits

- Fast, reliable and clean application
- No loss of performance - anti-wear
- Long life technology
- Easy handling for precise working
- Gives you long worry free performance

Applications



Product by range



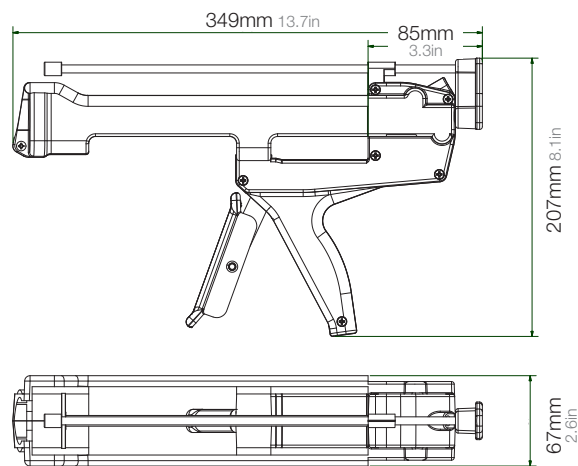
*Effective 1st July 2018

The **MK H260 M** is part of a range of manual dispensers. Designed for use with medium viscosity sealants and adhesives.

Specifications

- Lightweight: 0.9kg / 1.9lbs
- Cartridge Holder Length: 264mm / 10.4in
- Maximum Thrust: 5kN (stroke 3.5mm)
- Handle Material: Reinforced Nylon
- Cartridge Holder Material: Reinforced Nylon
- Cartridge Capacity: 350mL (12.3oz)
- Cartridge Ratios: 10:1
- Mechanical Advantage Ratio: (26:1)
- Standard Color: Black
- Customized versions on demand

Dimensions



Part number:

DM2 350-50-100

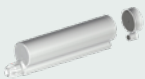
Article number:

153353

Packaging:

10 per Box

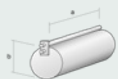
Matching MIXPAC side-by-side cartridges



J-System

350mL / 10:1 PP/PA

Compatible side-by-side cartridges



Plastic Cartridge

345mL / 10:1 PP / PA

10:1	mm	inch
a	215.0	8.46
b	Ø 50.3	Ø 1.98
c	Ø 17.8	Ø 0.70

Conversion kits

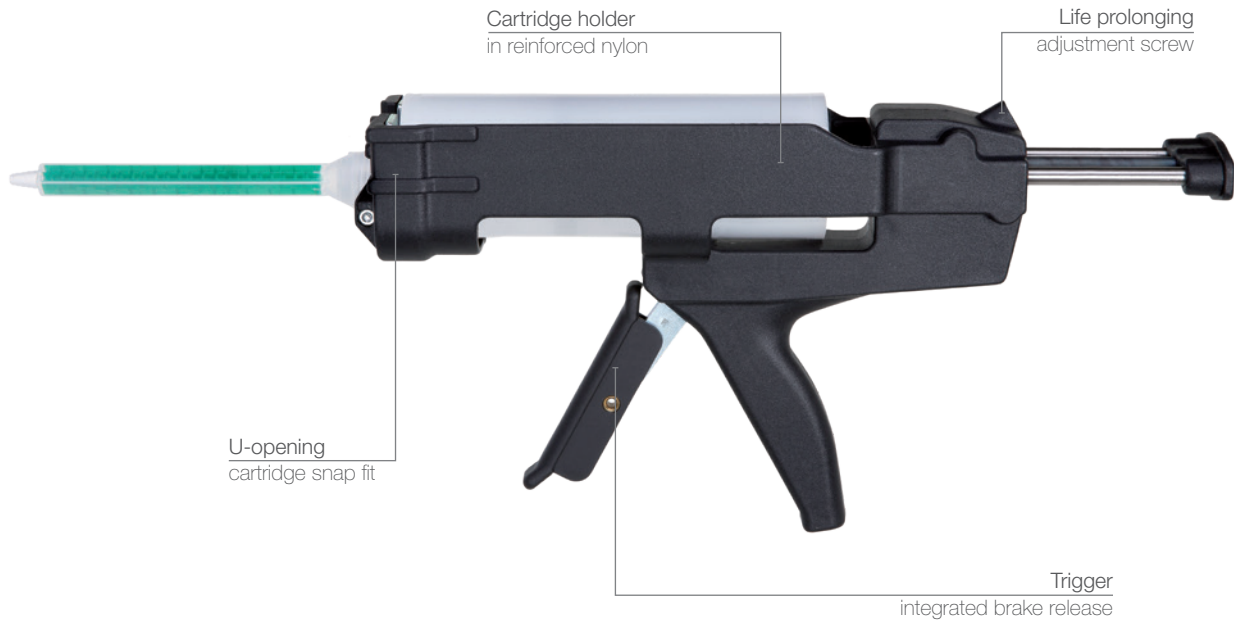
Matching accessories



MK™ 2-Component Dispenser

H285 sM

A 2-component manual bead dispenser for 380mL cartridges.



Model shown: H285 sM 380mL

Product advantages

- Anti-drip and trigger integrated brake release
- Life prolonging adjustment screw
- Reinforced nylon barrel housing
- High gearing ratio
- U-opening with cartridge snap fit
- Warranty up to 2 years*

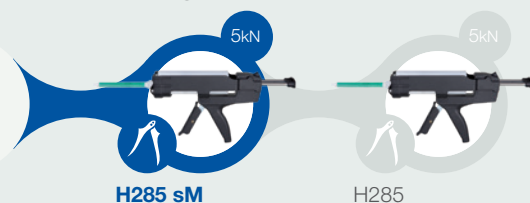
Customer benefits

- Fast, reliable and clean application
- No loss of performance - anti-wear
- Long life technology
- Easy handling for precise working
- Gives you long worry free performance

Applications



Product by range



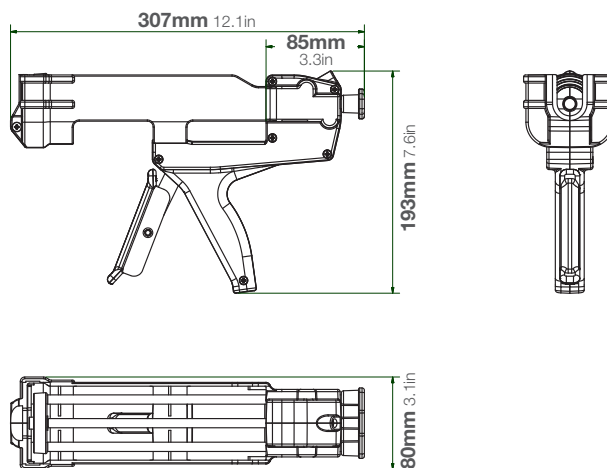
*Effective 1st July 2018

The **MK H285 sM** is part of a range of manual dispensers. Designed for use with medium viscosity sealants and adhesives.

Specifications

- Lightweight: 1.0kg / 2.2lbs
- Cartridge Holder Length: 222mm / 8.75in
- Maximum Thrust: 5kN (stroke 3.5mm)
- Handle Material: Reinforced Nylon
- Cartridge Holder Material: Reinforced Nylon
- Cartridge Capacity: 380mL (13.4oz)
- Cartridge Ratios: 10:1
- Mechanical Advantage Ratio: (26:1)
- Standard Color: Black
- Customized versions on demand

Dimensions



Part number:
DM2 380-50-100

Article number:
151763

Packaging:
10 per Box

Matching MIXPAC coaxial cartridges



Q-System
380mL / 10:1 PA

Compatible coaxial cartridges



Plastic Cartridge
380mL / 10:1 PA

10:1	mm	inch
a	183.0	7.2
b	Ø 63.0	Ø 2.48
c	Ø 18.0	Ø 0.7

Conversion kits

Matching accessories



MK™ 2-Component Dispenser

H288 N

A 2-component manual bead dispenser for 600mL cartridges.



Model shown: H288 N 380mL

Product advantages

- Anti-drip and trigger integrated brake release
- Life prolonging adjustment screw
- Reinforced nylon barrel housing
- High gearing ratio
- U-opening with cartridge snap fit
- Warranty up to 2 years*

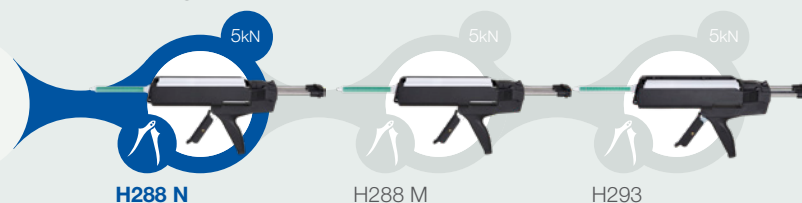
Customer benefits

- Fast, reliable and clean application
- No loss of performance - anti-wear
- Long life technology
- Easy handling for precise working
- Gives you long worry free performance

Applications



Product by range



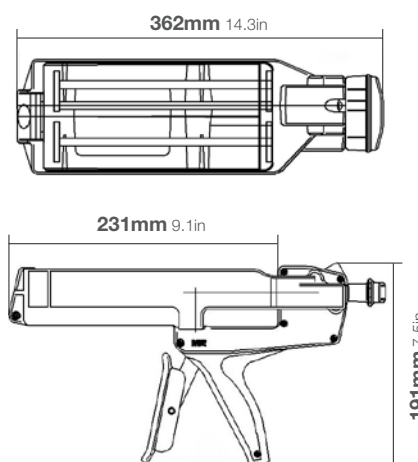
*Effective 1st July 2018

The **MK H288 N** is part of a range of manual dispensers. Designed for use with medium viscosity sealants and adhesives.

Specifications

- Lightweight: 1.2kg / 2.6lbs
- Cartridge Holder Length: 231mm / 9.1in
- Maximum Thrust: 5kN (stroke 3.5mm)
- Handle Material: Reinforced Nylon
- Cartridge Holder Material: Reinforced Nylon
- Cartridge Capacity: 600mL (21.1oz)
- Cartridge Ratios: 1:1
- Mechanical Advantage Ratio: (26:1)
- Standard Color: Black
- Customized versions on demand

Dimensions



Part number:

DM2 600-50-400

Article number:

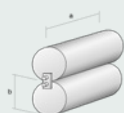
152494

Packaging:

10 per Box

Matching MIXPAC™ cartridges

Compatible side-by-side cartridge



Plastic Cartridge / 600mL 1:1

1:1	mm	inch
a	218.0	8.58
b	49.0	1.9
c	49.0	1.9

Conversion kits

Matching accessories



MK™ 2-Component Dispenser

H288 M

A 2-component manual bead dispenser for 600mL cartridges.



Model shown: H288 M 600mL

Product advantages

- Anti-drip and trigger integrated brake release
- Life prolonging adjustment screw
- Reinforced nylon barrel housing
- High gearing ratio
- U-opening with cartridge snap fit
- Warranty up to 2 years*

Customer benefits

- Fast, reliable and clean application
- No loss of performance - anti-wear
- Long life technology
- Easy handling for precise working
- Gives you long worry free performance

Applications



Product by range



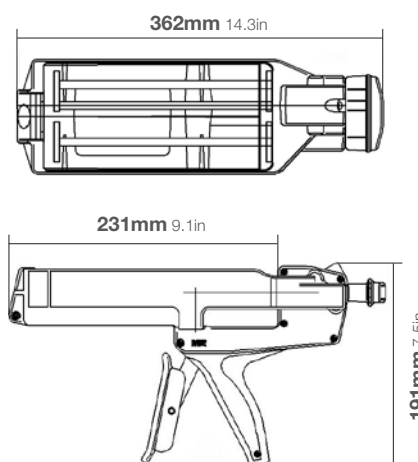
*Effective 1st July 2018

The **MK H288 M** is part of a range of manual dispensers. Designed for use with medium viscosity sealants and adhesives.

Specifications

- Lightweight: 1.2kg / 2.6lbs
- Cartridge Holder Length: 231mm / 9.1in
- Maximum Thrust: 5kN (stroke 3.5mm)
- Handle Material: Reinforced Nylon
- Cartridge Holder Material: Reinforced Nylon
- Cartridge Capacity: 600mL (21.1oz)
- Cartridge Ratios: 1:1
- Mechanical Advantage Ratio: (26:1)
- Standard Color: Black
- Customized versions on demand

Dimensions



Part number:

DM2 600-50-200

Article number:

151766

Packaging:

10 per Box

Matching MIXPAC side-by-side cartridges



J-System
600mL / 1:1 PP

Compatible cartridges

Conversion kits

Matching accessories



MK™ 2-Component Dispenser

H293

A 2-component manual bead dispenser for 600mL cartridges.



Model shown: H293 600mL

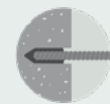
Product advantages

- Anti-drip and trigger integrated brake release
- Life prolonging adjustment screw
- Reinforced nylon barrel housing
- High gearing ratio
- U-opening with cartridge snap fit
- Warranty up to 2 years*

Customer benefits

- Fast, reliable and clean application
- No loss of performance - anti-wear
- Long life technology
- Easy handling for precise working
- Gives you long worry free performance

Applications



Chemical Anchoring

Product by range



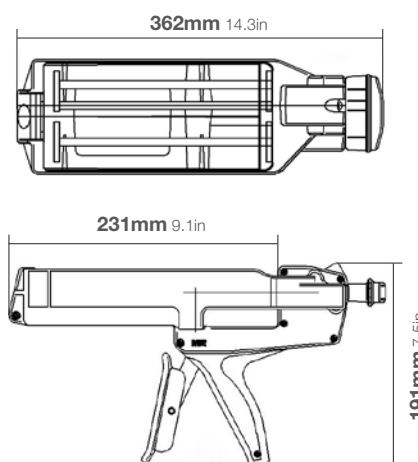
*Effective 1st July 2018

The **MK H293** is part of a range of manual dispensers. Designed for use with high viscosity sealants and adhesives.

Specifications

- Lightweight: 1.2kg / 2.6lbs
- Cartridge Holder Length: 231mm / 9.1in
- Maximum Thrust: 5kN (stroke 3.5mm)
- Handle Material: Reinforced Nylon
- Cartridge Holder Material: Reinforced Nylon
- Cartridge Capacity: 600mL (21.1oz)
- Cartridge Ratios: 1:1
- Mechanical Advantage Ratio: (26:1)
- Standard Color: Black
- Customized versions on demand

Dimensions



Part number:

DM2 600-50-300
DM2 600-50-3AY1

Article number:

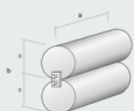
151767
152317

Packaging:

10 per Box
10 per Box

Matching MIXPAC™ cartridges

Compatible side-by-side cartridges



Plastic Cartridge

2x310mL / 1:1 PP

1:1	mm	inch
a	217.0	8.54
b	102.0	4.01
c	Ø 51.0	Ø 2.0

Conversion kits

Matching accessories



MK™ 2-Component Dispenser

H293 PM

A 2-component manual bead dispenser for 450mL cartridges.



Model shown: H293 PM 450mL

Product advantages

- Anti-drip and trigger integrated brake release
- Life prolonging adjustment screw
- Reinforced nylon barrel housing
- High gearing ratio
- U-opening with cartridge snap fit
- Warranty up to 2 years*

Customer benefits

- Fast, reliable and clean application
- No loss of performance - anti-wear
- Long life technology
- Easy handling for precise working
- Gives you long worry free performance

Applications



Product by range

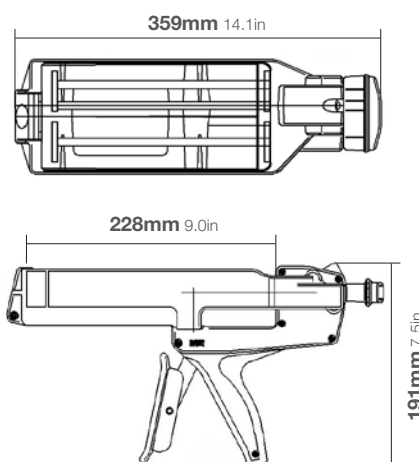


The **MK H293 PM** is part of a range of manual dispensers. Designed for use with medium viscosity sealants and adhesives.

Specifications

- Lightweight: 1.22kg / 2.6lbs
- Cartridge Holder Length: 228mm / 9.0in
- Maximum Thrust: 5kN (stroke 3.5mm)
- Handle Material: Reinforced Nylon
- Cartridge Holder Material: Reinforced Nylon
- Cartridge Capacity: 450mL (15.8oz)
- Cartridge Ratios: 2:1
- Mechanical Advantage Ratio: (26:1)
- Standard Color: Black
- Customized versions on demand

Dimensions



Part number:

DM2 450-50-100

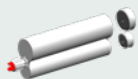
Article number:

151768

Packaging:

10 per Box

Matching MIXPAC side-by-side cartridges



J-System

450mL / 2:1 PP/PA

Compatible cartridges

Conversion kits

Matching accessories



MK™ 2-Component Dispenser

H297 MN

A 2-component manual bead dispenser for 330mL cartridges.



Model shown: H297 MN 330mL

Product advantages

- Anti-drip and trigger integrated brake release
- Life prolonging adjustment screw
- Reinforced nylon barrel housing
- High gearing ratio
- U-opening with cartridge snap fit
- Warranty up to 2 years*

Customer benefits

- Fast, reliable and clean application
- No loss of performance - anti-wear
- Long life technology
- Easy handling for precise working
- Gives you long worry free performance

Applications



Product by range

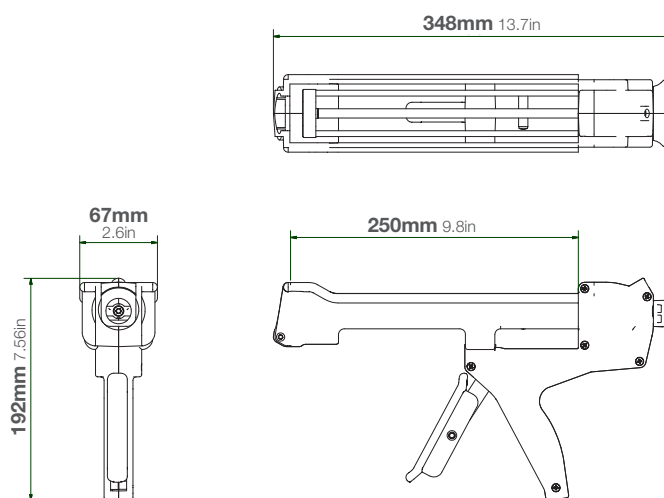


The **MK H297 MN** is part of a range of manual dispensers. Designed for use with medium viscosity sealants and adhesives.

Specifications

- Lightweight: 0.8kg / 1.8lbs
- Cartridge Holder Length: 250mm / 9.8in
- Maximum Thrust: 5kN (stroke 3.5mm)
- Handle Material: Reinforced Nylon
- Cartridge Holder Material: Reinforced Nylon
- Cartridge Capacity: 330mL (11.6oz)
- Cartridge Ratios: 10:1
- Mechanical Advantage Ratio: (26:1)
- Standard Color: Black
- Customized versions on demand

Dimensions

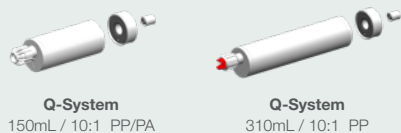


Part number:
DM2 300-50-100

Article number:
151769

Packaging:
Single or 10 per Box

Matching MIXPAC coaxial cartridges



Compatible coaxial cartridges

Conversion kits

Matching accessories



MK™ 2-Component Dispenser

H297 iMN

A 2-component manual bead dispenser for 330mL cartridges.



Model shown: H297 iMN 330mL

Product advantages

- Anti-drip and trigger integrated brake release
- Life prolonging adjustment screw
- Reinforced nylon barrel housing
- High gearing ratio
- U-opening with cartridge snap fit
- Warranty up to 2 years*

Customer benefits

- Fast, reliable and clean application
- No loss of performance - anti-wear
- Long life technology
- Easy handling for precise working
- Gives you long worry free performance

Applications



Product by range



H297 MN

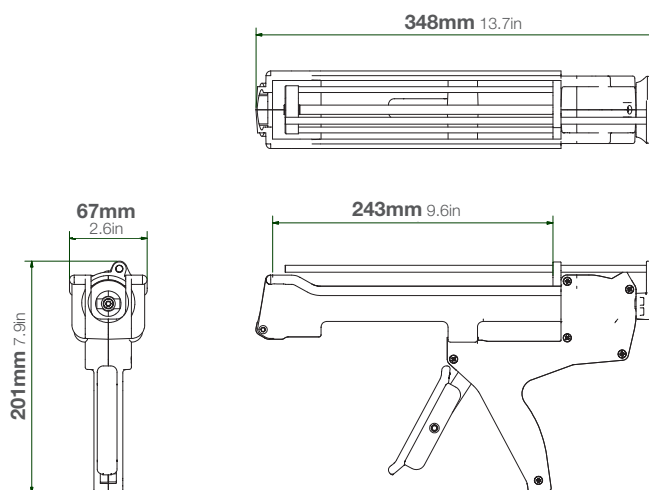
H297 iMN

The **MK H297 iMN** is part of a range of manual dispensers. Designed for use with medium viscosity sealants and adhesives.

Specifications

- Lightweight: 0.8kg / 2.1lbs
- Cartridge Holder Length: 243mm / 9.6in
- Maximum Thrust: 5kN (stroke 3.5mm)
- Handle Material: Reinforced Nylon
- Cartridge Holder Material: Reinforced Nylon
- Cartridge Capacity: 330mL (11.6oz)
- Cartridge Ratios: 10:1
- Mechanical Advantage Ratio: (26:1)
- Standard Color: Black
- Customized versions on demand

Dimensions



Part number:
DM2 300-50-200

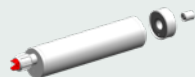
Article number:
151770

Packaging:
Single or 10 per Box

Matching MIXPAC coaxial cartridges



Q-System
150mL / 10:1 PP/PA



Q-System
310mL / 10:1 PP

Compatible coaxial cartridges

Conversion kits

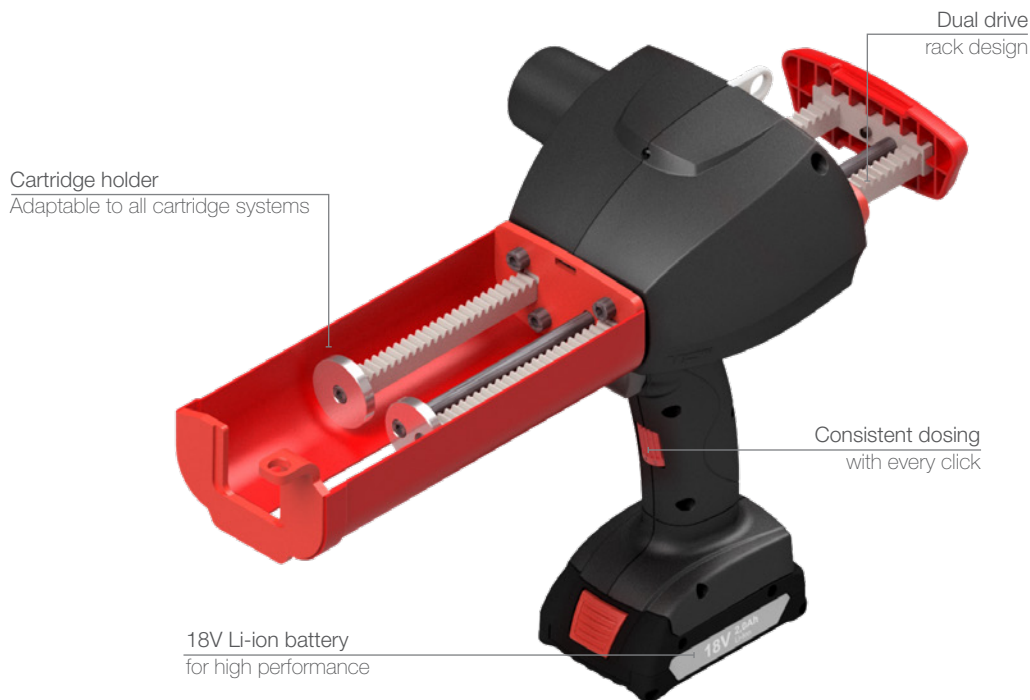
Matching accessories



MK™ 2-Component Dispenser

B983 M

A 2-component battery bead dispenser for 400mL cartridges.



Model shown: B983 M 400mL

Product advantages

- Unique memory function
- Dual drive rack design
- Anti-drip function
- 18V Li-ion high performance battery
- U-opening with cartridge snap fit
- Warranty up to 2 years

Customer benefits

- Consistent dosing with every click
- Reproduces quality of each adhesive
- Clean and efficient working
- Charge time: 65min. (100%)
- Robust design
- Gives you long worry free performance

Applications



Bonding



Sealing



Repair



Shimming

Product by range



**B983 M /
B983 M-US**



B983 M-2:1 /
B983 M-2:1-US



B938 M /
B938 M-US



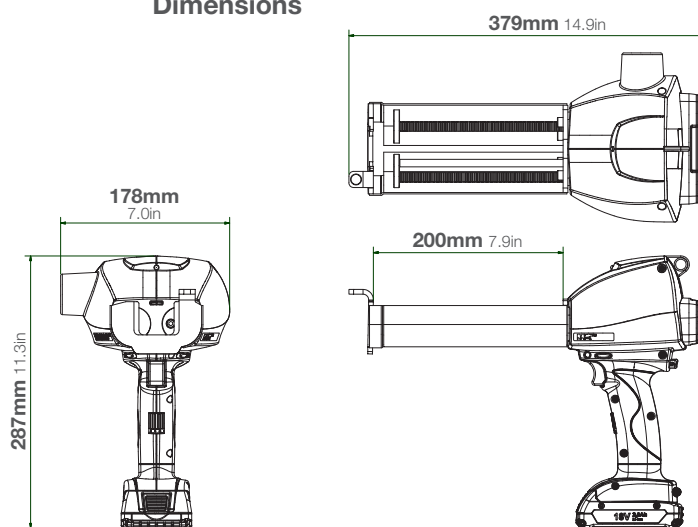
B978 M /
B978 M-US

The **MK B983 M** is part of a range of battery powered dispensers. Designed for use with high viscosity sealants and adhesives.

Specifications

- Weight: 3.5kg / 7.7lbs
- Cartridge Holder Length: 200mm / 7.9in
- Maximum Thrust: 5kN (5mm/s)
- Voltage: 18V
- Battery Capacity: 2.0Ah
- Battery Charge Time: 65min. (100%)
- Battery Type: Li-ion
- Handle Material: Reinforced Nylon
- Cartridge Holder Material: Steel
- Tool Component Approvals: CE
- Cartridge Capacity: 400mL (14oz)
- Cartridge Ratio: 1:1
- Standard Color: Black/Red
- Customized versions on demand

Dimensions



Part number:

DB2-400-50-100
DB2-400-50-110

Article number:

152603
152604 (US)

Packaging:

1 per Box / 14 units per Pallet
1 per Box / 14 units per Pallet

Matching MIXPAC™ side-by-side cartridges



C-System
400mL / 1:1 PP/PA



F-System
400mL / 1:1 PP/PBT

Compatible cartridges

-

Conversion kits

-

Matching accessories

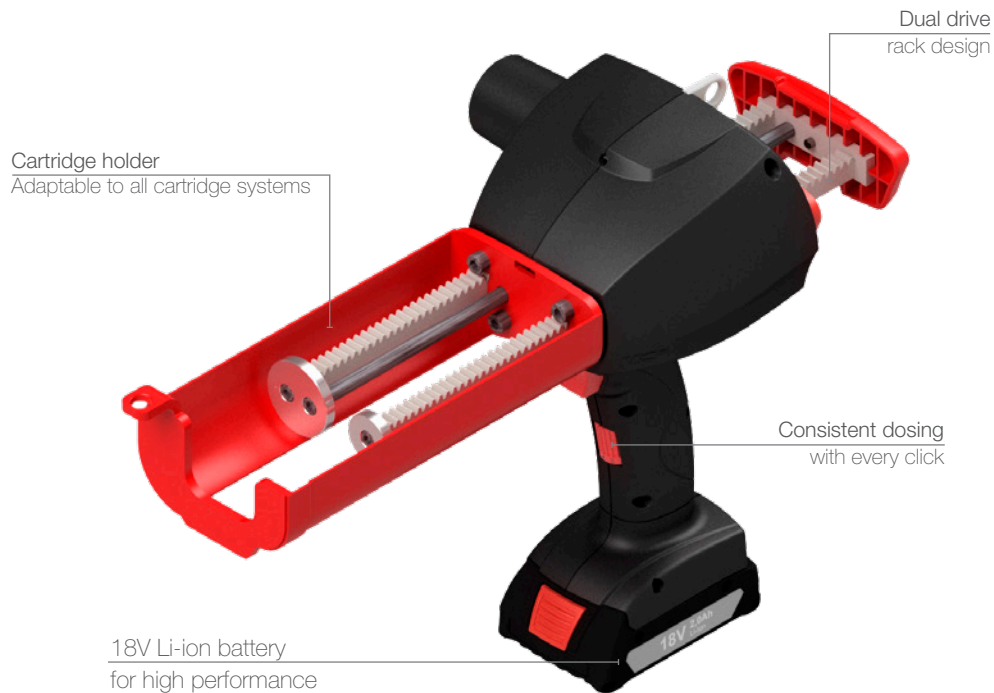
Batteries on pages 84.



MK™ 2-Component Dispenser

B983 M-2:1

A 2-component battery bead dispenser for 400mL cartridges.



Model shown: B983 M-2:1 400mL

Product advantages

- Unique memory function
- Dual drive rack design
- Anti-drip function
- 18V Li-ion high performance battery
- U-opening with cartridge snap fit
- Warranty up to 2 years

Customer benefits

- Consistent dosing with every click
- Reproduces quality of each adhesive
- Clean and efficient working
- Charge time: 65min. (100%)
- Robust design
- Gives you long worry free performance

Applications



Bonding



Sealing



Repair



Shimming

Product by range



B983 M /
B983 M-US



B983 M-2:1 /
B983 M-2:1-US



B938 M /
B938 M-US



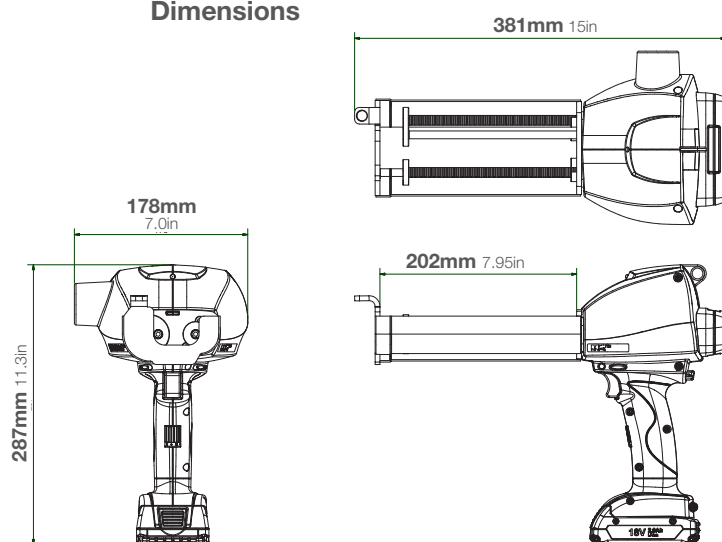
B978 M /
B978 M-US

The **MK B983 M-2:1** is part of a range of battery powered dispensers. Designed for use with high viscosity sealants and adhesives.

Specifications

- Weight: 3.5kg / 7.7lbs
- Cartridge Holder Length: 202mm / 7.95in
- Maximum Thrust: 5kN (5mm/s)
- Voltage: 18V
- Battery Capacity: 2.0Ah
- Battery Charge Time: 65min. (100%)
- Battery Type: Li-ion
- Handle Material: Reinforced Nylon
- Cartridge Holder Material: Steel
- Tool Component Approvals: CE
- Cartridge Capacity: 400mL (14oz)
- Cartridge Ratio: 2:1
- Standard Color: Black/Red
- Customized versions on demand

Dimensions



Part number:

DB2-400-50-200
DB2-400-50-210

Article number:

152605
152606 (US)

Packaging:

1 per Carry Case / 14 units per Pallet
1 per Carry Case / 14 units per Pallet

Matching MIXPAC™ side-by-side cartridges



Compatible cartridges

-

Conversion kits

-

Matching accessories

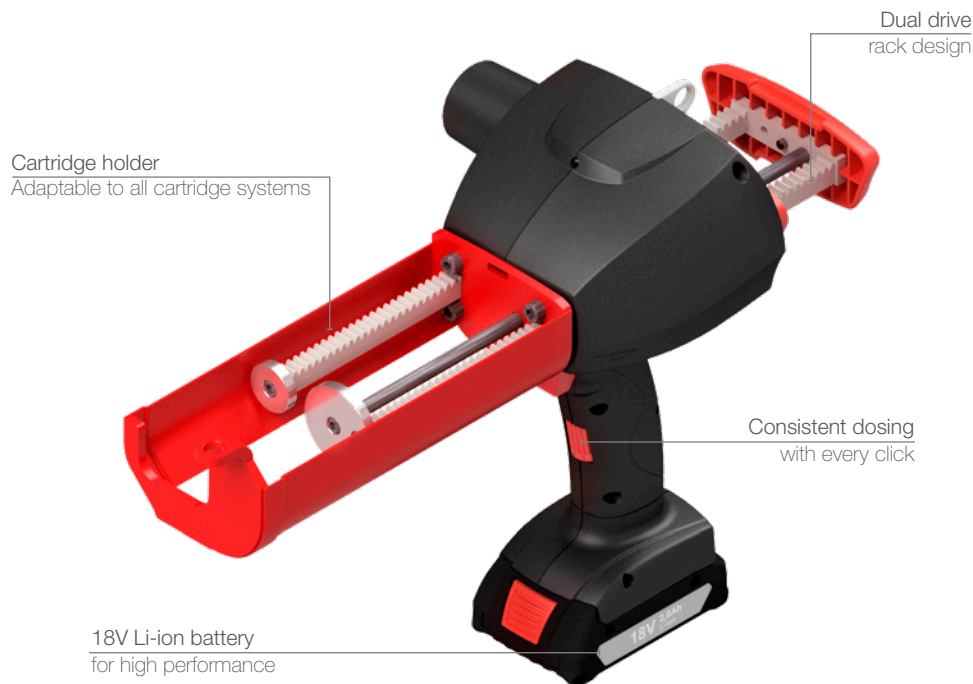
Batteries on pages 84.



MK™ 2-Component Dispenser

B938 M

A 2-component battery bead dispenser for 400mL cartridges.



Model shown: B938 M 400mL

Product advantages

- Unique memory function
- Dual drive rack design
- Anti-drip function
- 18V Li-ion high performance battery
- U-opening with cartridge snap fit
- Warranty up to 2 years

Customer benefits

- Consistent dosing with every click
- Reproduces quality of each adhesive
- Clean and efficient working
- Charge time: 65min. (100%)
- Robust design
- Gives you long worry free performance

Applications



Bonding



Sealing



Repair



Shimming

Product by range



B983 M /
B983 M-US



B983 M-2:1 /
B983 M-2:1-US



**B938 M /
B938 M-US**



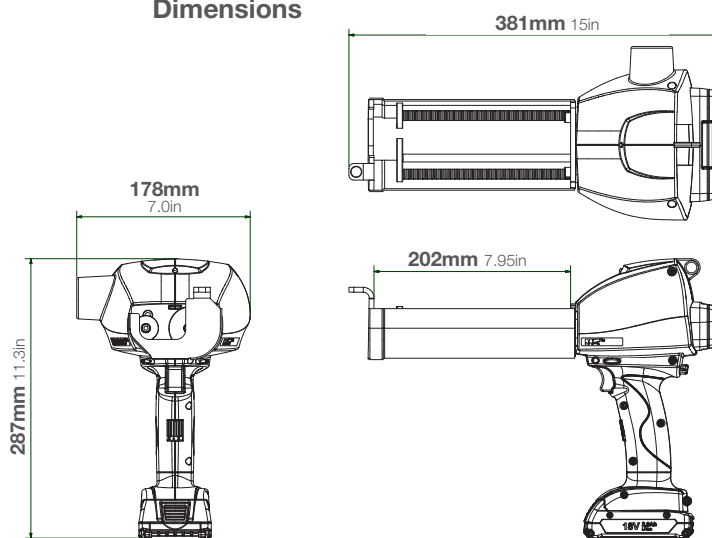
B978 M /
B978 M-US

The **MK B938 M** is part of a range of battery powered dispensers. Designed for use with high viscosity sealants and adhesives.

Specifications

- Weight: 3.5kg / 7.7lbs
- Cartridge Holder Length: 202mm / 7.95in
- Maximum Thrust: 5kN (5mm/s)
- Voltage: 18V
- Battery Capacity: 2.0Ah
- Battery Charge Time: 65min. (100%)
- Battery Type: Li-ion
- Handle Material: Reinforced Nylon
- Cartridge Holder Material: Steel
- Tool Component Approvals: CE
- Cartridge Capacity: 400mL (14oz)
- Cartridge Ratio: 4:1
- Standard Color: Black/Red
- Customized versions on demand

Dimensions



Part number:

DB2-400-50-300
DB2-400-50-310

Article number:

152607
152608 (US)

Packaging:

1 per Carry Case / 14 units per Pallet
1 per Carry Case / 14 units per Pallet

Matching MIXPAC™ side-by-side cartridges



C-System
400mL / 4:1 PP



F-System
400mL / 4:1 PP/PBT

Compatible cartridges

-

Conversion kits

-

Matching accessories

Batteries on pages 84.



MK™ 2-Component Dispenser

B978 M

A 2-component battery bead dispenser for 400mL cartridges.



Model shown: B978 M 400mL

Product advantages

- Unique memory function
- Dual drive rack design
- Anti-drip function
- 18V Li-ion high performance battery
- U-opening with cartridge snap fit
- Warranty up to 2 years

Customer benefits

- Consistent dosing with every click
- Reproduces quality of each adhesive
- Clean and efficient working
- Charge time: 65min. (100%)
- Robust design
- Gives you long worry free performance

Applications



Bonding



Sealing



Repair



Shimming

Product by range



B983 M /
B983 M-US



B983 M-2:1 /
B983 M-2:1-US



B938 M /
B938 M-US



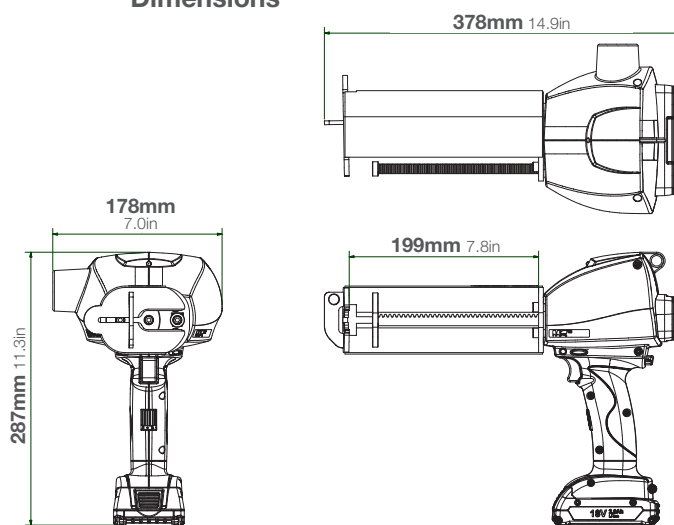
**B978 M /
B978 M-US**

The **MK B978 M** is part of a range of battery powered dispensers. Designed for use with high viscosity sealants and adhesives.

Specifications

- Weight: 3.5kg / 7.7lbs
- Cartridge Holder Length: 199mm / 7.8in
- Maximum Thrust: 5kN (5mm/s)
- Voltage: 18V
- Battery Capacity: 2.0Ah
- Battery Charge Time: 65min. (100%)
- Battery Type: Li-ion
- Handle Material: Reinforced Nylon
- Cartridge Holder Material: Steel
- Tool Component Approvals: CE
- Cartridge Capacity: 400mL (14oz)
- Cartridge Ratio: 10:1
- Standard Color: Black/Red
- Customized versions on demand

Dimensions



Part number:

DB2-400-50-400
DB2-400-50-410

Article number:

152609
152610 (US)

Packaging:

1 per Carry Case / 14 units per Pallet
1 per Carry Case / 14 units per Pallet

Matching MIXPAC™ side-by-side cartridges



C-System
400mL / 10:1 PP



F-System
400mL / 10:1 PP/PBT

Compatible cartridges

Conversion kits

Matching accessories

Batteries on pages 84.



MK™ 2-Component Dispenser

B944 K

A 2-component battery bead dispenser for 385/585mL cartridges.



Model shown: B944 K 585mL

Product advantages

- Unique memory function
- Dual drive rack design
- Anti-drip function
- 18V Li-ion high performance battery
- U-opening with cartridge snap fit
- Warranty up to 2 years*

Customer benefits

- Consistent dosing with every click
- Reproduces quality of each adhesive
- Clean and efficient working
- Charge time: 65min. (100%)
- Robust design
- Gives you long worry free performance

Applications



Product by range



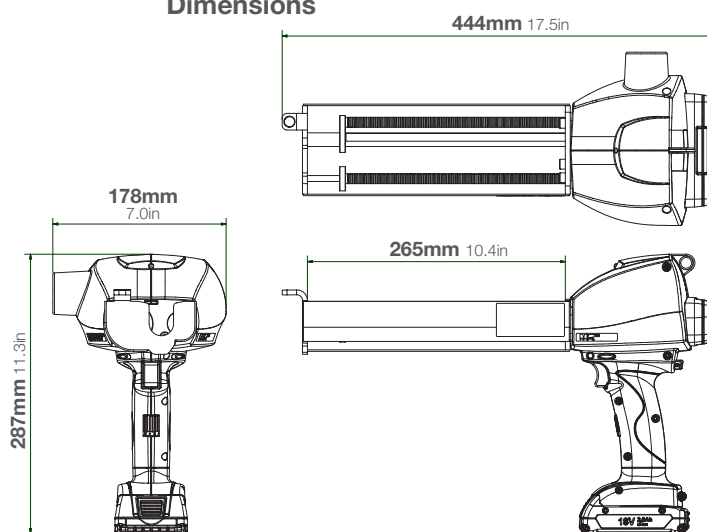
B944 K

The **MK B944 K** is part of a range of battery powered dispensers. Designed for use with low to medium viscosity sealants and adhesives.

Specifications

- Weight: 3.5kg / 7.7lbs
- Cartridge Holder Length: 265mm / 10.4in
- Maximum Thrust: 2.7kN (5mm/s)
- Voltage: 18V
- Battery Capacity: 2.0Ah
- Battery Charge Time: 65min. (100%)
- Battery Type: Li-ion
- Handle Material: Reinforced Nylon
- Cartridge Holder Material: Steel
- Tool Component Approvals: CE
- Cartridge Capacity: 385mL (13.5oz), 585mL (20.6oz)
- Cartridge Ratio: 3:1
- Standard Color: Black/Red
- Customized versions on demand

Dimensions



Part number:

DB2-585-27-100

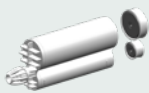
Article number:

154476

Packaging:

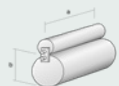
1 per Carry Case / 14 units per Pallet

Matching MIXPAC™ side-by-side cartridges



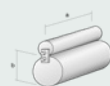
J-System
365mL / 3:1 PP

Compatible side-by-side cartridges



Plastic Cartridge
365mL 3:1

3:1	mm	inch
a	171.0	6.7
b	Ø 32.6	Ø 1.3
c	Ø 54.4	Ø 2.1



Plastic Cartridge
585mL 3:1

3:1	mm	inch
a	244.0	9.6
b	Ø 32.6	Ø 1.3
c	Ø 54.4	Ø 2.1

Conversion kits

Matching accessories

Batteries on pages 84.

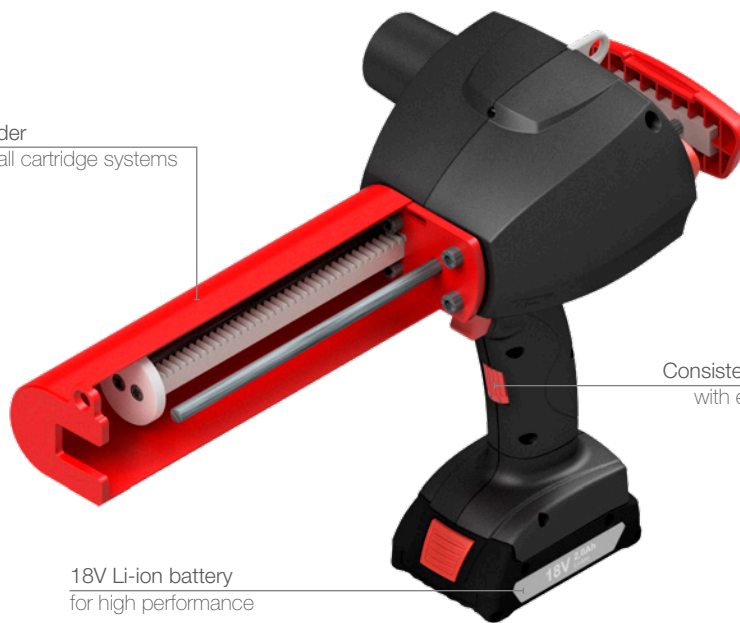


MK™ 2-Component Dispenser

B960 M

A 2-component battery bead dispenser for 350mL cartridges.

Cartridge holder
Adaptable to all cartridge systems



Consistent dosing
with every click

18V Li-ion battery
for high performance

Model shown: B960 M 345mL

Product advantages

- Unique memory function
- Dual drive rack design
- Anti-drip function
- 18V Li-ion high performance battery
- U-opening with cartridge snap fit
- Warranty up to 2 years*

Customer benefits

- Consistent dosing with every click
- Reproduces quality of each adhesive
- Clean and efficient working
- Charge time: 65min. (100%)
- Robust design
- Gives you long worry free performance

Applications



Product by range

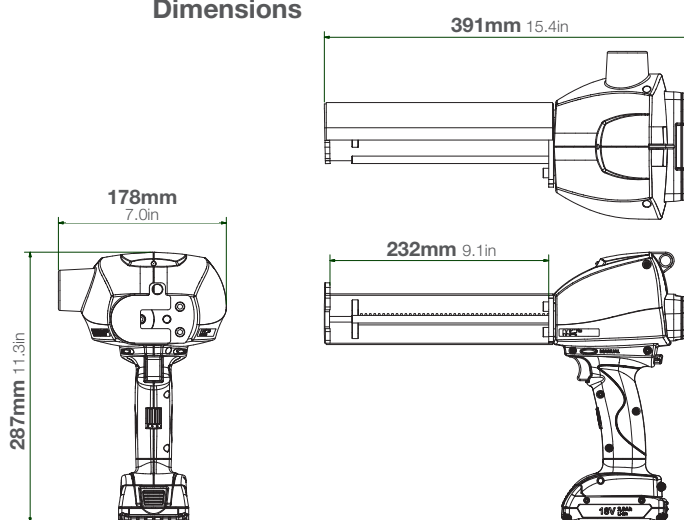


The **MK B960 M** is part of a range of battery powered dispensers. Designed for use with low to medium viscosity sealants and adhesives.

Specifications

- Weight: 3.4kg / 7.4lbs
- Cartridge Holder Length: 189mm / 7.4in
- Maximum Thrust: 2.8kN (5mm/s)
- Voltage: 18V
- Battery Capacity: 2.0Ah
- Battery Charge Time: 65min. (100%)
- Battery Type: Li-ion
- Handle Material: Reinforced Nylon
- Cartridge Holder Material: Steel
- Tool Component Approvals: CE
- Cartridge Capacity: 350mL (12.3oz)
- Cartridge Ratio: 10:1
- Standard Color: Black/Red
- Customized versions on demand

Dimensions



Part number:

DB2 350-30-100

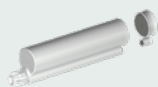
Article number:

152602

Packaging:

1 per Carry Case / 14 units per Pallet

Matching MIXPAC™ side-by-side cartridges



J-System
350mL / 10:1 PA

Compatible cartridges

Conversion kits

-

Matching accessories

Batteries on pages 84.



MK™ 2-Component Dispenser

B985 M

A 2-component battery bead dispenser for 380mL cartridges.

Cartridge holder
Adaptable to all cartridge systems



Consistent dosing
with every click

18V Li-ion battery
for high performance

Model shown: B985 M 380mL

Product advantages

- Unique memory function
- Dual drive rack design
- Anti-drip function
- 18V Li-ion high performance battery
- U-opening with cartridge snap fit
- Warranty up to 2 years*

Customer benefits

- Consistent dosing with every click
- Reproduces quality of each adhesive
- Clean and efficient working
- Charge time: 65min. (100%)
- Robust design
- Gives you long worry free performance

Applications



Product by range

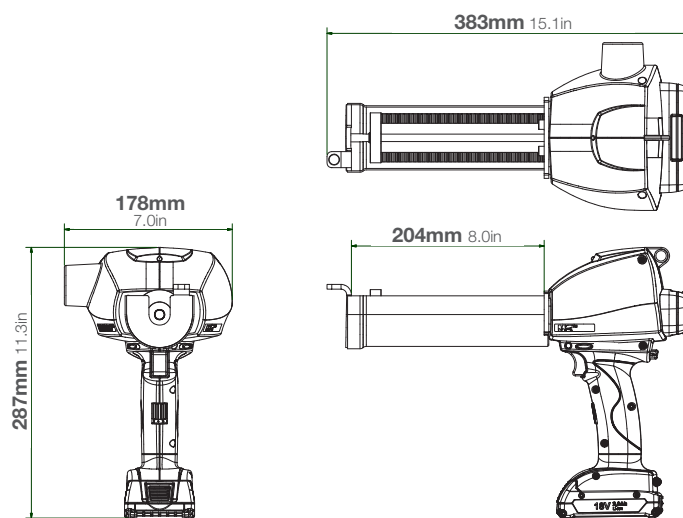


The **MK B985 M** is part of a range of battery powered dispensers. Designed for use with low to medium viscosity sealants and adhesives.

Specifications

- Weight: 3.3kg / 7.3lbs
- Cartridge Holder Length: 204mm / 8.0in
- Maximum Thrust: 2.75kN (5mm/s)
- Voltage: 18V
- Battery Capacity: 2.0Ah
- Battery Charge Time: 65min. (100%)
- Battery Type: Li-ion
- Handle Material: Reinforced Nylon
- Cartridge Holder Material: Steel
- Tool Component Approvals: CE
- Cartridge Capacity: 380mL (13.4oz)
- Cartridge Ratio: 10:1
- Standard Color: Black/Red
- Customized versions on demand

Dimensions



Part number:

DB2 380-27-150

Article number:

158093

Packaging:

1 per Carry Case / 14 units per Pallet

Matching MIXPAC™ coaxial cartridges



Q-System
380mL / 10:1 PA

Compatible cartridges



Plastic Cartridge
380mL / 10:1 PP/PA

10:1	mm	inch
a	183.0	7.2
b	Ø63.0	Ø2.5
c	Ø18.0	Ø0.7

Conversion kits

-

Matching accessories

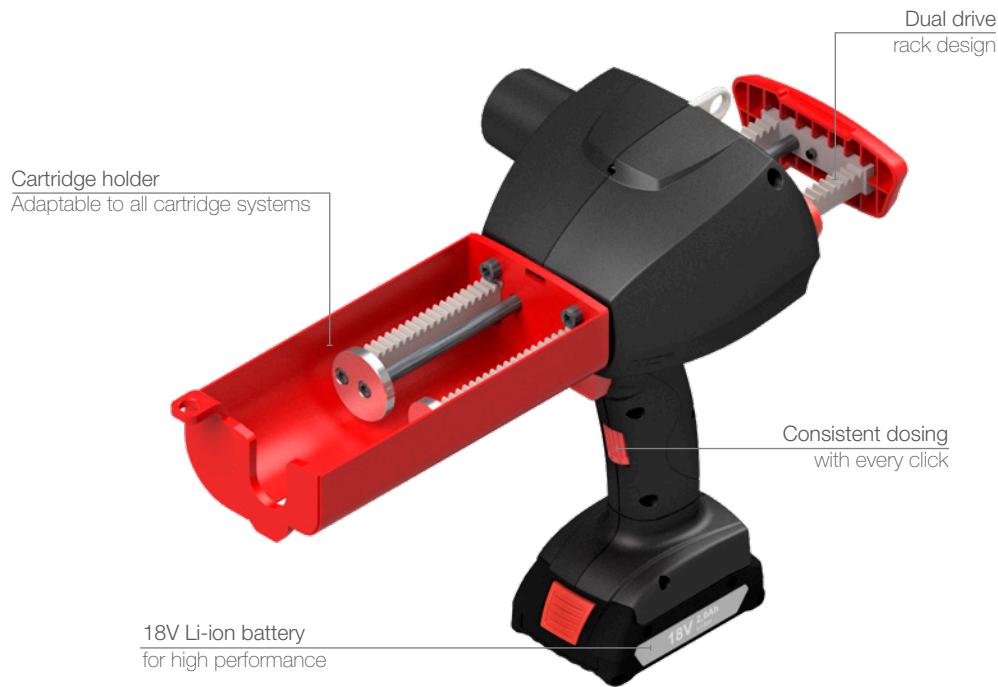
Batteries on pages 84.



MK™ 2-Component Dispenser

B959 M

A 2-component battery bead dispenser for 450mL cartridges.



Model shown: B959 M 450mL

Product advantages

- Unique memory function
- Dual drive rack design
- Anti-drip function
- 18V Li-ion high performance battery
- U-opening with cartridge snap fit
- Warranty up to 2 years*

Customer benefits

- Consistent dosing with every click
- Reproduces quality of each adhesive
- Clean and efficient working
- Charge time: 65min. (100%)
- Robust design
- Gives you long worry free performance

Applications



Product by range



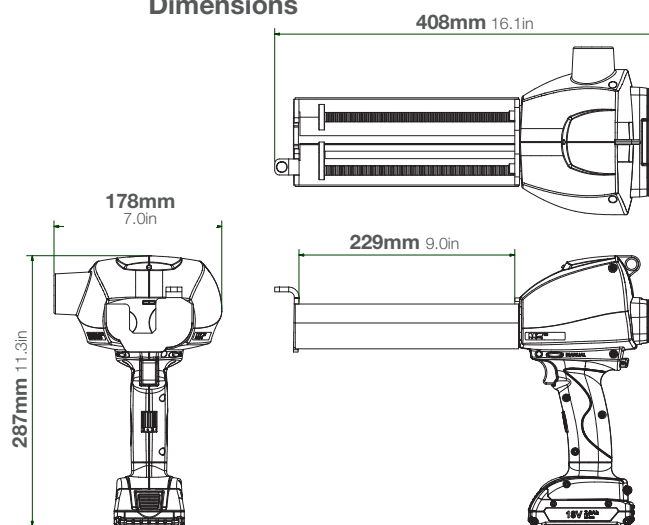
**B959 M /
B959 M-US**

The **MK B959 M** is part of a range of battery powered dispensers. Designed for use with medium to high viscosity sealants and adhesives.

Specifications

- Weight: 3.5kg / 7.7lbs
- Cartridge Holder Length: 229mm / 9.0in
- Maximum Thrust: 4.45kN (5mm/s)
- Voltage: 18V
- Battery Capacity: 2.0Ah
- Battery Charge Time: 65min. (100%)
- Battery Type: Li-ion
- Handle Material: Reinforced Nylon
- Cartridge Holder Material: Steel
- Tool Component Approvals: CE
- Cartridge Capacity: 450mL (15.8oz)
- Cartridge Ratio: 2:1
- Standard Color: Black/Red
- Customized versions on demand

Dimensions



Part number:

DB2-450-45-100
DB2-450-45-110

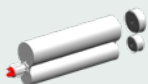
Article number:

152611
152612 (US)

Packaging:

1 per Carry Case / 14 units per Pallet
1 per Carry Case / 14 units per Pallet

Matching MIXPAC™ coaxial cartridges



J-System
450mL / 2:1 PA/PP

Compatible cartridges

-

Conversion kits

-

Matching accessories

Batteries on pages 84.



MK™ 2-Component Dispenser

B988 M

A 2-component battery bead dispenser for 600mL cartridges.



Model shown: B988 M 600mL

Product advantages

- Unique memory function
- Dual drive rack design
- Anti-drip function
- 18V Li-ion high performance battery
- U-opening with cartridge snap fit
- Warranty up to 2 years*

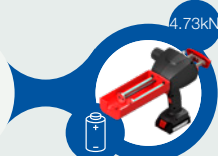
Customer benefits

- Consistent dosing with every click
- Reproduces quality of each adhesive
- Clean and efficient working
- Charge time: 65min. (100%)
- Robust design
- Gives you long worry free performance

Applications



Product by range



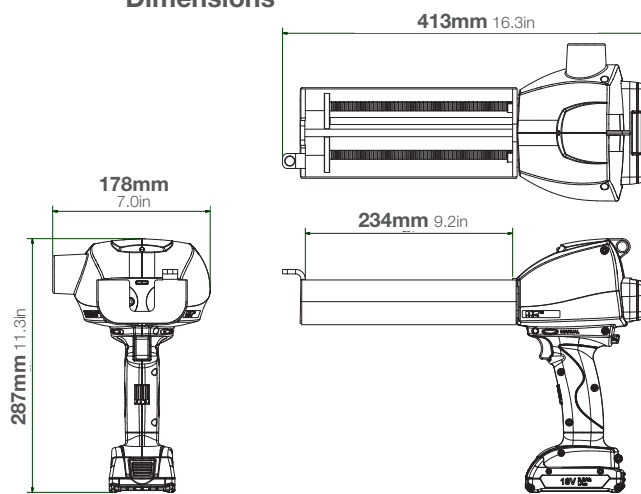
**B988 M /
B988 M-US**

The **MK B988 M** is part of a range of battery powered dispensers. Designed for use with medium viscosity sealants and adhesives.

Specifications

- Weight: 3.6kg / 7.9lbs
- Cartridge Holder Length: 234mm / 9.2in
- Maximum Thrust: 4.73kN (5mm/s)
- Voltage: 18V
- Battery Capacity: 2.0Ah
- Battery Charge Time: 65min. (100%)
- Battery Type: Li-ion
- Handle Material: Reinforced Nylon
- Cartridge Holder Material: Steel
- Tool Component Approvals: CE
- Cartridge Capacity: 600mL (21.1oz)
- Cartridge Ratio: 1:1
- Standard Color: Black/Red
- Customized versions on demand

Dimensions



Part number:

DB2-600-47-80
DB2-600-47-100
DB2-600-47-110

Article number:

152613 (US)
152454
152613

Packaging:

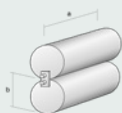
1 per Carry Case / 14 units per Pallet
1 per Carry Case / 14 units per Pallet
1 per Carry Case / 14 units per Pallet

Matching MIXPAC™ side-by-side cartridges



J-System
600mL / 1:1 PP

Compatible cartridges



Plastic Cartridge
600mL 1:1

1:1	mm	inch
a	217.0	8.4
b	102.0	4.01
c	Ø51.0	2.0

Conversion kits

Matching accessories

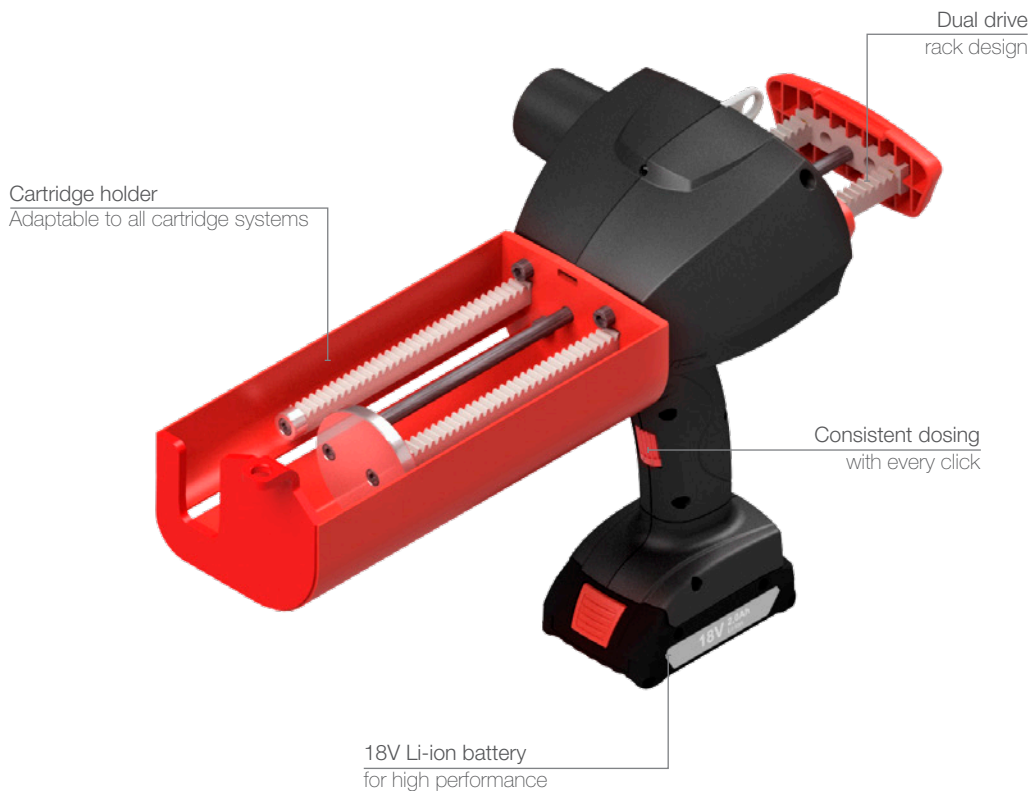
Batteries on pages 84.



MK™ 2-Component Dispenser

B998 M

A 2-component battery bead dispenser for 825mL cartridges.



Model shown: B998 M 825mL

Product advantages

- Unique memory function
- Dual drive rack design
- Anti-drip function
- 18V Li-ion high performance battery
- U-opening with cartridge snap fit
- Warranty up to 2 years*

Customer benefits

- Consistent dosing with every click
- Reproduces quality of each adhesive
- Clean and efficient working
- Charge time: 65min. (100%)
- Robust design
- Gives you long worry free performance

Applications



Product by range



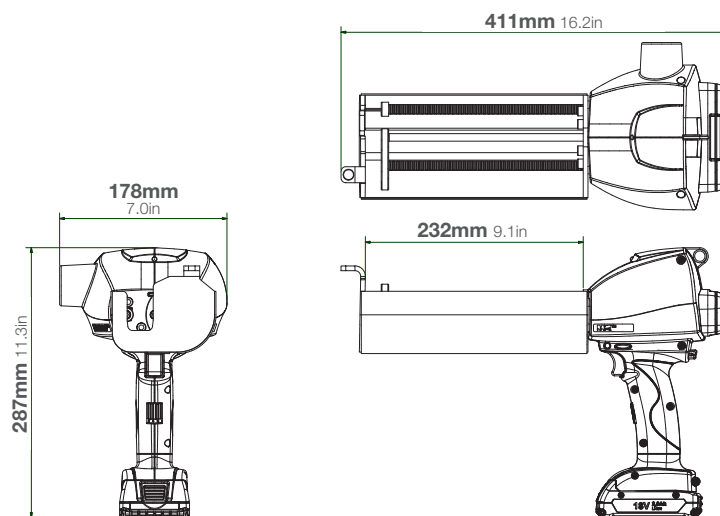
**B998 M /
B998 M-US**

The **MK B998 M** is part of a range of battery powered dispensers. Designed for use with medium viscosity sealants and adhesives.

Specifications

- Weight: 3.7kg / 8.1lbs
- Cartridge Holder Length: 232mm / 9.1in
- Maximum Thrust: 5kN (5mm/s)
- Voltage: 18V
- Battery Capacity: 2.0Ah
- Battery Charge Time: 65min. (100%)
- Battery Type: Li-ion
- Handle Material: Reinforced Nylon
- Cartridge Holder Material: Steel
- Tool Component Approvals: CE
- Cartridge Capacity: 825mL (29oz)
- Cartridge Ratio: 10:1
- Standard Color: Black/Red
- Customized versions on demand

Dimensions



Part number:

DB2-825-50-100
DB2-825-50-110

Article number:

152614
152615 (US)

Packaging:

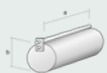
1 per Carry Case / 14 units per Pallet
1 per Carry Case / 14 units per Pallet

Matching MIXPAC™ side-by-side cartridges



J-System
825mL / 10:1 PA

Compatible cartridges



Plastic Cartridge
825mL 10:1 PP

10:1	mm	inch
a	216.0	8.5
b	Ø74.0	Ø2.9
c	Ø24.0	Ø0.9

Conversion kits

-

Matching accessories

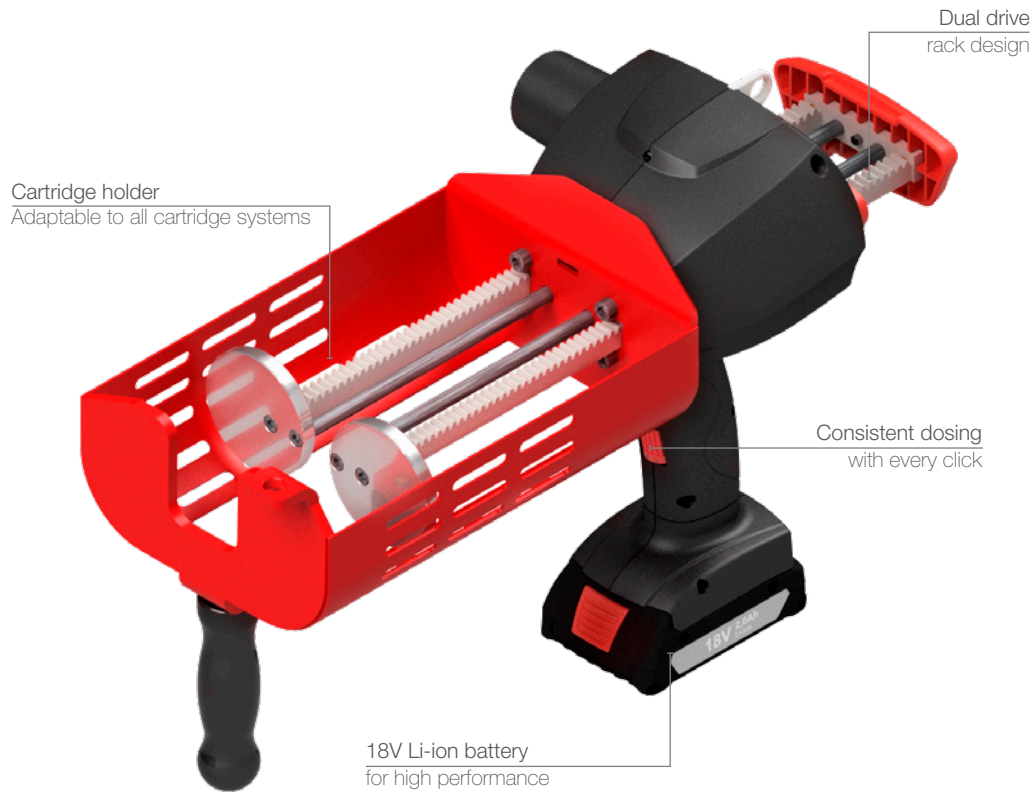
Batteries on pages 84.



MK™ 2-Component Dispenser

B999 M

A 2-component battery bead dispenser for 1500mL cartridges.



Model shown: B999 M 1500mL

Product advantages

- Unique memory function
- Dual drive rack design
- Anti-drip function
- 18V Li-ion high performance battery
- U-opening with cartridge snap fit
- Warranty up to 2 years*

Customer benefits

- Consistent dosing with every click
- Reproduces quality of each adhesive
- Clean and efficient working
- Charge time: 65min. (100%)
- Robust design
- Gives you long worry free performance

Applications



Product by range



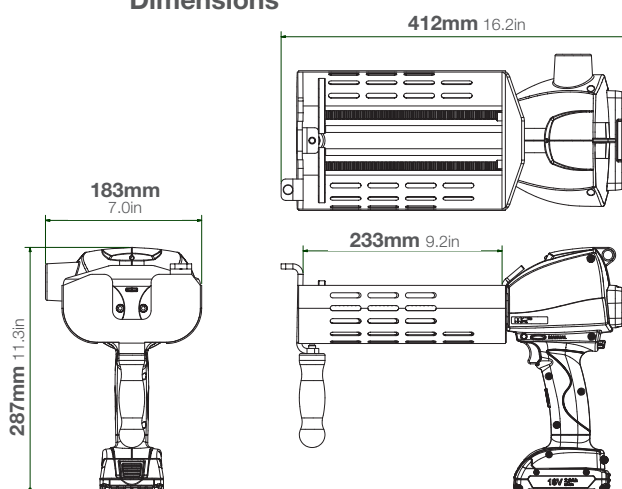
**B999 M /
B999 M-US**

The **MK B999 M** is part of a range of battery powered dispensers. Designed for use with medium viscosity sealants and adhesives.

Specifications

- Weight: 4.2kg / 7.9lbs
- Cartridge Holder Length: 233mm / 9.2in
- Maximum Thrust: 5kN (5mm/s)
- Voltage: 18V
- Battery Capacity: 2.0Ah
- Battery Charge Time: 65min. (100%)
- Battery Type: Li-ion
- Handle Material: Reinforced Nylon
- Cartridge Holder Material: Steel
- Tool Component Approvals: CE
- Cartridge Capacity: 1500mL (52.8oz)
- Cartridge Ratio: 1:1
- Standard Color: Black/Red
- Customized versions on demand

Dimensions



Part number:

DB2-1500-50-100
DB2-1500-50-110

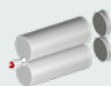
Article number:

152616
152617 (US)

Packaging:

1 per Carry Case / 14 units per Pallet
1 per Carry Case / 14 units per Pallet

Matching MIXPAC™ side-by-side cartridges



J-System
1500mL / 1:1 PP

Compatible cartridges

-

Conversion kits

-

Matching accessories

Batteries on pages 84.



MK™ 2-Component Dispenser

TS408 HM-101

A 2-component pneumatic bead dispenser for 50mL cartridges.

Quick cartridge exchange for efficient working



Simple dispensing one hand speed adjustment

Reinforced nylon handle compact and lightweight

Model shown: TS408 HM-101 50mL

Product advantages

- Quick cartridge exchange
- One hand pressure adjustment
- Anti-drip function
- Reinforced nylon handle
- Warranty up to 2 years*

Customer benefits

- For efficient working
- Simple dispensing, effective working
- Clean application
- Compact and lightweight
- Gives you long worry free performance

Applications



Bonding

Product by range



T408 HM-101



TS408 MY-8



TS408 EM



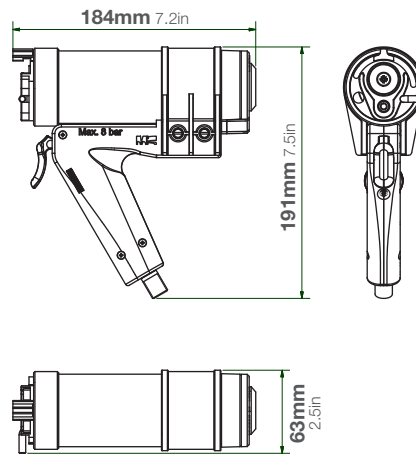
TS408 BM

The **MK TS408 HM-101** is part of a range of pneumatic dispensers. Designed for use with low viscosity sealants and adhesives.

Specifications

- Lightweight: 0.73kg / 1.6lbs
- Dispenser Length: 184mm / 7.2in
- Maximum Thrust: 1.3kN
- Maximum Pneumatic Pressure: 8bar / 116psi
- Air Consumption: 40 litres/min
- Handle Material: Reinforced Nylon
- Cartridge Holder Material: Reinforced Nylon
- Tool Component Approvals: CE
- Cartridge Capacity: 50mL (1.8oz)
- Cartridge Ratio: 10:1
- Standard Color: Black
- Customized versions on demand

Dimensions



Part number:

DP2 50-16-300

Article number:

151886

Packaging:

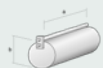
1 per Box

Matching MIXPAC™ side-by-side cartridges



BS-System
50mL / 10:1 PP/PBT

Compatible side-by-side cartridges



Plastic cartridge
50mL / 10:1

10:1	mm	inch
a	101.8	4.0
b	Ø 25.9	Ø 1.0
c	Ø 8.1	Ø 0.3

Conversion kits

Matching accessories



MK™ 2-Component Dispenser

TS408 MY-8

A 2-component pneumatic bead dispenser for 50mL cartridges.



Model shown: TS408 MY-8 50mL

Product advantages

- Quick cartridge exchange
- One hand pressure adjustment
- Anti-drip function
- Reinforced nylon handle
- Warranty up to 2 years*

Customer benefits

- For efficient working
- Simple dispensing, effective working
- Clean application
- Compact and lightweight
- Gives you long worry free performance

Applications



Bonding

Product by range



T408 HM-101

TS408 MY-8

TS408 EM

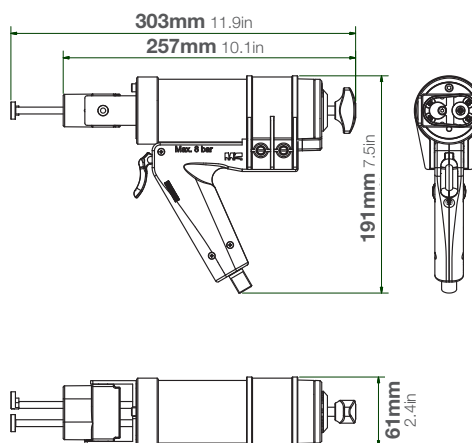
TS408 BM

The **MK TS408 MY-8** is part of a range of pneumatic dispensers. Designed for use with high viscosity sealants and adhesives.

Specifications

- Lightweight: 0.73kg / 1.6lbs
- Dispenser Length: 303mm / 11.9in
- Maximum Thrust: 1.3kN
- Maximum Pneumatic Pressure: 8bar / 116psi
- Air Consumption: 40 litres/min
- Handle Material: Reinforced Nylon
- Cartridge Holder Material: Reinforced Nylon
- Tool Component Approvals: CE
- Cartridge Capacity: 50mL (1.8oz)
- Cartridge Ratio: 1:1, 2:1, 10:1
- Standard Color: Black
- Customized versions on demand

Dimensions



Part number:

DP2 50-16-100

Article number:

151780

Packaging:

1 per Box

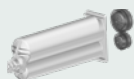
Matching MIXPAC™ side-by-side cartridges



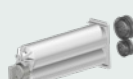
A-System
50mL / 1:1 PP/PA



B-System
50mL / 1:1 PP/PA



A-System
50mL / 2:1 PP/PA



B-System
50mL / 2:1 PP/PA



A-System
50mL / 4:1 PP/PA

Compatible cartridges

Conversion kits

Matching accessories



MK™ 2-Component Dispenser

TS408 EM

A 2-component pneumatic bead dispenser for 50mL cartridges.

Quick cartridge exchange for efficient working



Reinforced nylon handle compact and lightweight

Simple dispensing one hand speed adjustment

Model shown: TS408 EM 50mL

Product advantages

- Quick cartridge exchange
- One hand pressure adjustment
- Anti-drip function
- Reinforced nylon handle
- Warranty up to 2 years*

Customer benefits

- For efficient working
- Simple dispensing, effective working
- Clean application
- Compact and lightweight
- Gives you long worry free performance

Applications



Bonding

Product by range



T408 HM-101

TS408 MY-8

TS408 EM

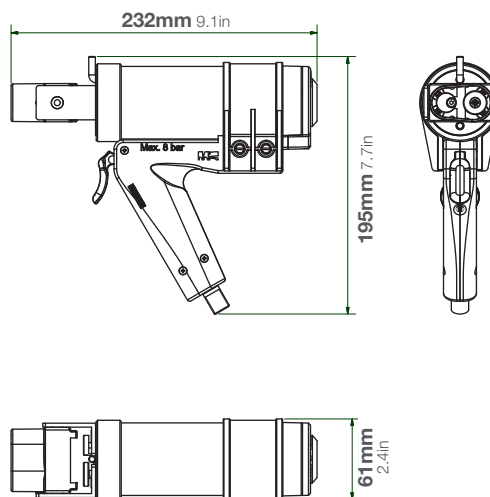
TS408 BM

The **MK TS408 EM** is part of a range of pneumatic dispensers. Designed for use with high viscosity sealants and adhesives.

Specifications

- Lightweight: 0.73kg / 1.6lbs
- Dispenser Length: 232mm / 9.1in
- Maximum Thrust: 1.3kN
- Maximum Pneumatic Pressure: 8bar / 116psi
- Air Consumption: 40 litres/min
- Handle Material: Reinforced Nylon
- Cartridge Holder Material: Reinforced Nylon
- Tool Component Approvals: CE
- Cartridge Capacity: 50mL (1.8oz)
- Cartridge Ratio: 1:1, 2:1, 3:2
- Standard Color: Black
- Customized versions on demand

Dimensions



Part number:

DP2 50-16-200

Article number:

151781

Packaging:

1 per Box

Matching MIXPAC™ side-by-side cartridges



A-System
50mL / 1:1 PP/PA



B-System
50mL / 1:1 PP/PA



A-System
50mL / 2:1 PP/PA



BS-System
50mL / 3:2 PP

Compatible cartridges

-

Conversion kits

-

Matching accessories

-



MK™ 2-Component Dispenser

TS408 BM

A 2-component pneumatic bead dispenser for 50mL cartridges.



Model shown: TS408 BM 50mL

Product advantages

- Quick cartridge exchange
- One hand pressure adjustment
- Anti-drip function
- Reinforced nylon handle
- Warranty up to 2 years*

Customer benefits

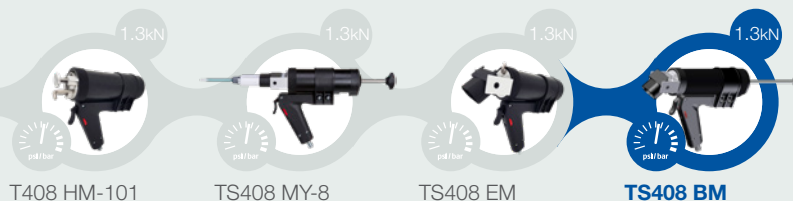
- For efficient working
- Simple dispensing, effective working
- Clean application
- Compact and lightweight
- Gives you long worry free performance

Applications



Bonding

Product by range



T408 HM-101

TS408 MY-8

TS408 EM

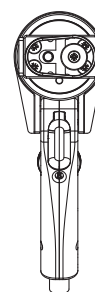
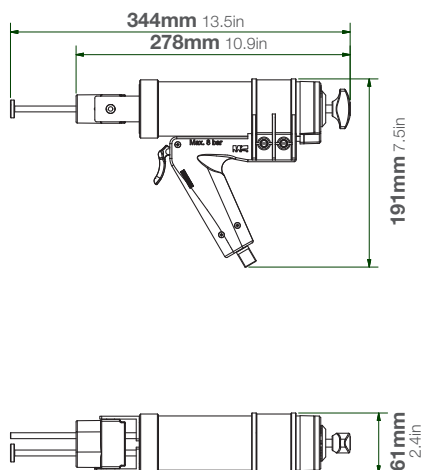
TS408 BM

The **MK TS408 BM** is part of a range of pneumatic dispensers. Designed for use with high viscosity sealants and adhesives.

Specifications

- Lightweight: 0.73kg / 1.6lbs
- Dispenser Length: 344mm / 13.5in
- Maximum Thrust: 1.3kN
- Maximum Pneumatic Pressure: 8bar / 116psi
- Air Consumption: 40 litres/min
- Handle Material: Reinforced Nylon
- Cartridge Holder Material: Reinforced Nylon
- Tool Component Approvals: CE
- Cartridge Capacity: 50mL (1.8oz)
- Cartridge Ratio: 4:1, 10:1
- Standard Color: Black
- Customized versions on demand

Dimensions



Part number:

DP2 50-16-400

Article number:

153094

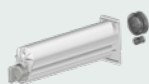
Packaging:

1 per Box

Matching MIXPAC™ side-by-side cartridges



B-System
50mL / 4:1 PP/PBT



B-System
50mL / 10:1 PP/PBT

Compatible cartridges

Conversion kits

Matching accessories



MK™ 2-Component Dispenser

TS444 KX

A 2-component pneumatic bead dispenser for 365/585mL cartridges.



Model shown: TS444 KX 585mL

Product advantages

- Quick exhaust
- Speed adjustment during operation
- Rapid reset/reload
- Warranty up to 2 years*

Customer benefits

- Prevents run-on
- Simple dispensing
- One hand pressure adjustment
- Gives you long worry free performance

Applications



Product by range



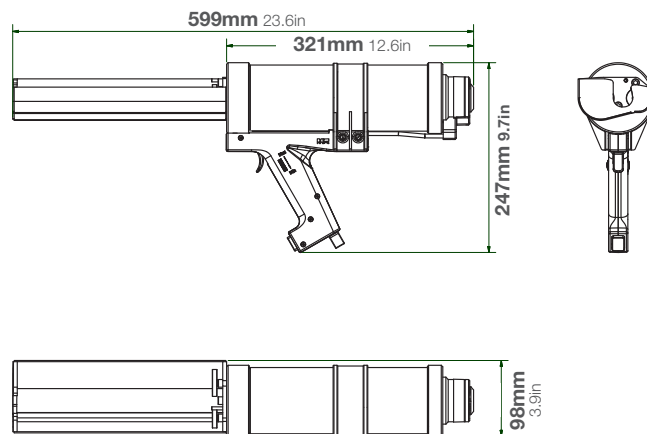
*Effective 1st July 2018

The **MK TS444 KX** is part of a range of pneumatic dispensers. Designed for use with medium viscosity sealants and adhesives.

Specifications

- Lightweight: 3.05kg / 6.80lbs
- Cartridge Holder Length: 278mm / 11in
- Maximum Thrust: 4kN
- Maximum Pneumatic Pressure: 8bar / 116psi
- Air Consumption: 40 litres/min
- Handle Material: Reinforced Nylon
- Barrel Material: Aluminum
- Cartridge Holder Material: Steel
- Tool Component Approvals: CE
- Cartridge Capacity: 365mL (12.8), 585mL (20.6oz)
- Cartridge Ratio: 3:1
- Standard Color: Black/Red
- Customized versions on demand

Dimensions



Part number:

DP2 585-40-100

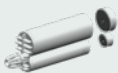
Article number:

152487

Packaging:

1 per Box

Matching MIXPAC™ side-by-side cartridges



J-System
365mL / 3:1 PP

Compatible side-by-side cartridges



Plastic Cartridge
585mL / 3:1 PP

3:1	mm	inch
a	244.0	9.6
b	32.6	1.3
c	Ø54.4	Ø2.1

Conversion kits

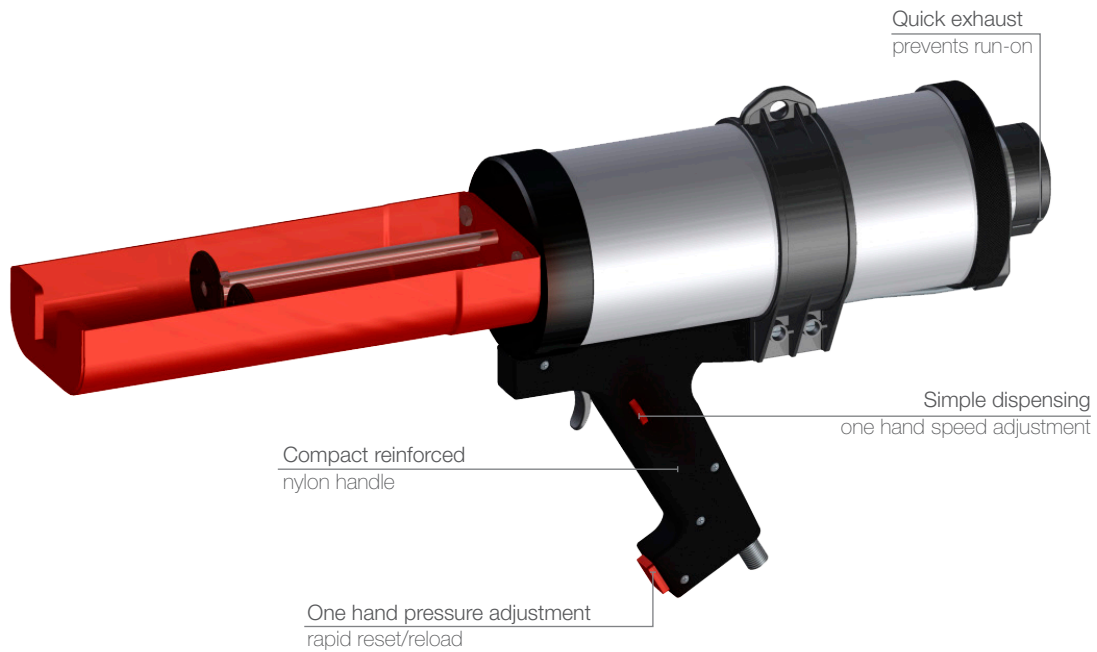
Matching accessories



MK™ 2-Component Dispenser

TS447 X-625

A 2-component pneumatic bead dispenser for 580mL cartridges.



Model shown: TS447 X-625 580mL

Product advantages

- Quick exhaust
- Speed adjustment during operation
- Rapid reset/reload
- Warranty up to 2 years*

Customer benefits

- Prevents run-on
- Simple dispensing
- One hand pressure adjustment
- Gives you long worry free performance

Applications



Product by range



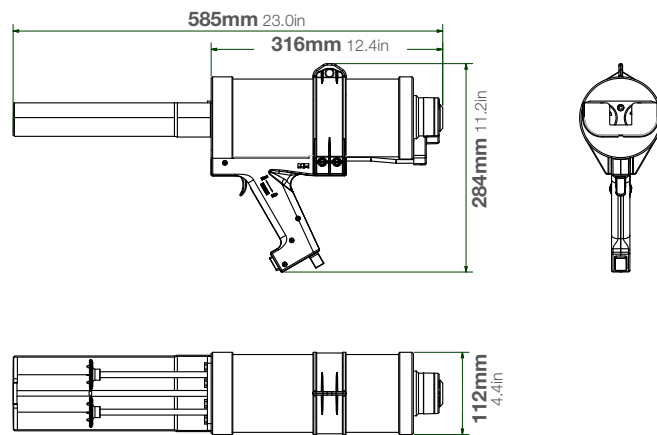
TS447 X-625

The **MK TS447 X-625** is part of a range of pneumatic dispensers. Designed for use with high viscosity sealants and adhesives.

Specifications

- Lightweight: 3.53kg / 7.87lbs
- Cartridge Holder Length: 269mm / 10.6in
- Maximum Thrust: 6.25kN
- Maximum Pneumatic Pressure: 8bar / 116psi
- Air Consumption: 40 litres/min
- Handle Material: Reinforced Nylon
- Cartridge Holder Material: Aluminum
- Frame Material: Steel
- Tool Component Approvals: CE
- Cartridge Capacity: 580mL (20.4oz)
- Cartridge Ratio: 1:1
- Standard Color: Black/Red
- Customized versions on demand

Dimensions



Part number:

DP2 600-62-100

Article number:

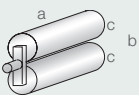
152387

Packaging:

1 per Box

Matching MIXPAC™ cartridges

Compatible side-by-side cartridges



Aluminum Cartridge
580mL /1:1

1:1	mm	inch
a	238.0	9.37
b	98.0	3.8
c	Ø47.0	Ø1.8

Conversion kits

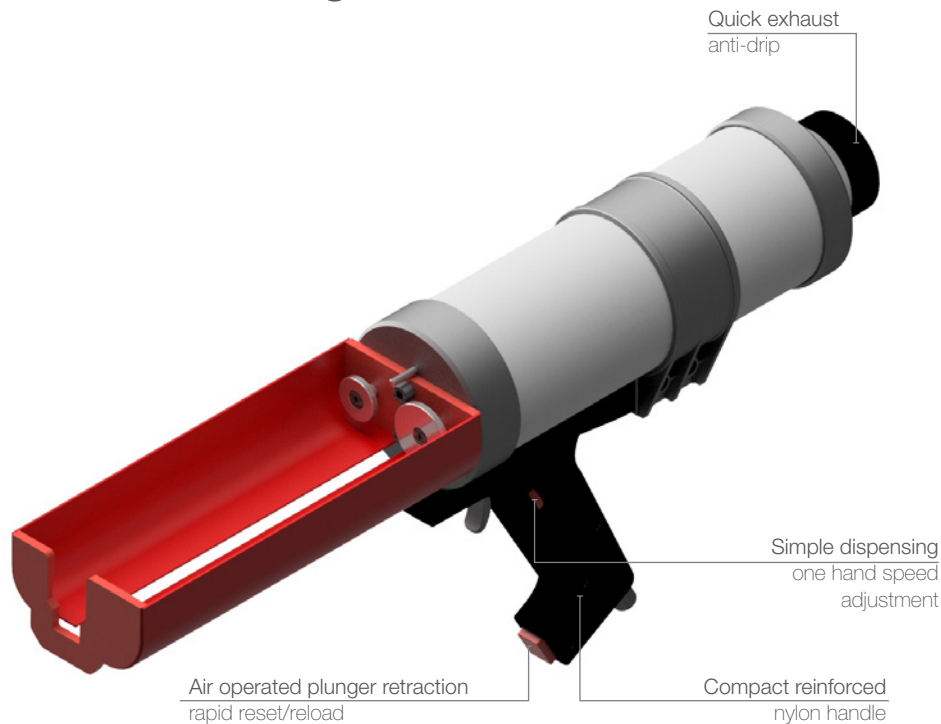
Matching accessories



MK™ 2-Component Dispenser

TS459 XM

A 2-component pneumatic bead dispenser for 450mL cartridges.



Model shown: TS459 XM 450mL

Product advantages

- Air operated plunger retraction
- One hand pressure adjustment
- Anti-drip function
- Long life technology
- Warranty up to 2 years*

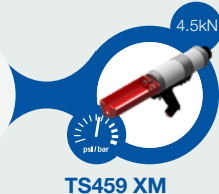
Customer benefits

- Quick cartridge exchange
- Simple dispensing speed adjustment
- Clean application
- Precise working
- Gives you long worry free performance

Applications



Product by range



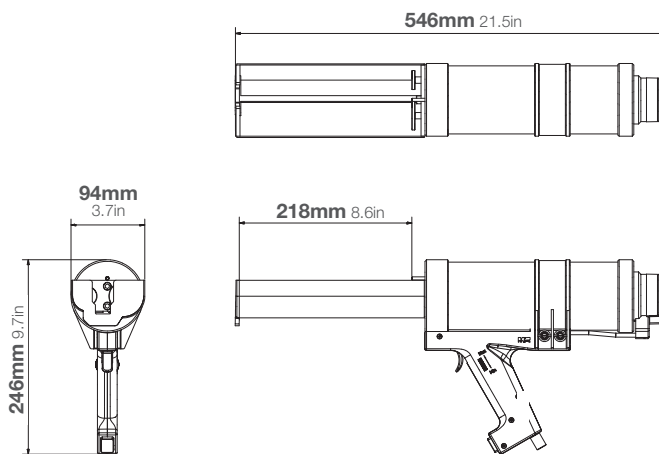
TS459 XM

The **MK TS459 XM** is part of a range of pneumatic dispensers. Designed for use with medium viscosity sealants and adhesives.

Specifications

- Lightweight: 2.69kg / 5.9bs
- Cartridge Holder Length: 218mm / 8.6in
- Maximum Thrust: 4.5kN
- Maximum Pneumatic Pressure: 8bar / 116psi
- Air Consumption: 40 litres/min
- Handle Material: Reinforced Nylon
- Cartridge Holder Material: Aluminum
- Frame Material: Steel
- Tool Component Approvals: CE
- Cartridge Capacity: 450mL (15.8oz)
- Cartridge Ratio: 2:1
- Standard Color: Black
- Customized versions on demand

Dimensions



Part number:

DP2 450-40-100

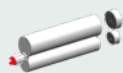
Article number:

152516

Packaging:

1 per Box

Matching MIXPAC™ side-by-side cartridges



J System
450mL / 2:1 PP/PA

Compatible cartridges

Conversion kits

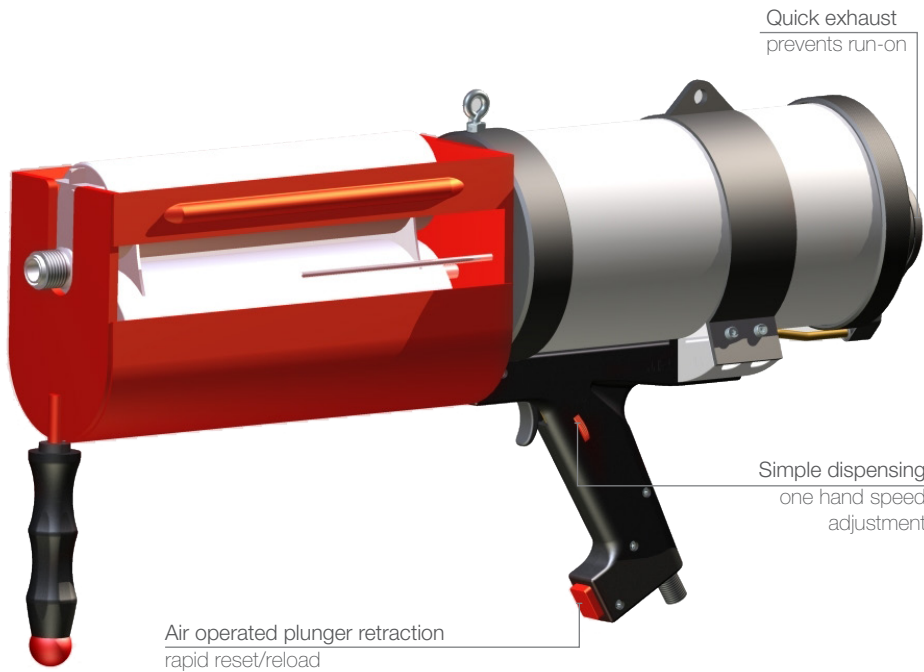
Matching accessories



MK™ 2-Component Dispenser

TS471

A 2-component pneumatic bead dispenser for 1400mL cartridges.



Model shown: TS471 1400mL

Product advantages

- Quick exhaust
- Speed adjustment during operation
- Rapid reset/reload
- Warranty up to 2 years*

Customer benefits

- Prevents run-on
- Simple dispensing
- One hand pressure adjustment
- Gives you long worry free performance

Applications



Product by range



TS471

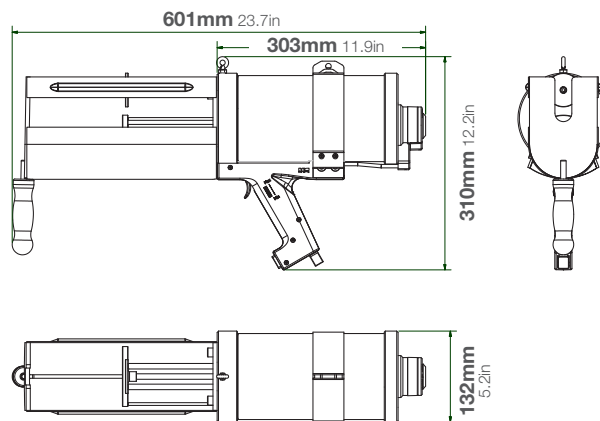
*Effective 1st July 2018

The **MK TS471** is part of a range of pneumatic dispensers. Designed for use with medium to high viscosity sealants and adhesives.

Specifications

- Lightweight: 3.95kg / 8.8lbs
- Cartridge Holder Length: 298mm / 11.7in
- Maximum Thrust: 8.3kN
- Maximum Pneumatic Pressure: 8bar / 116psi
- Air Consumption: 40 litres/min
- Handle Material: Reinforced Nylon
- Cartridge Holder Material: Aluminum
- Frame Material: Steel
- Tool Component Approvals: CE
- Cartridge Capacity: 1400mL (49.3oz)
- Cartridge Ratio: 3:1
- Standard Color: Black/Red
- Customized versions on demand

Dimensions



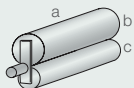
Part number:
DP2 1400-83-100

Article number:
153201

Packaging:
1 per Box

Matching MIXPAC™ cartridges

Compatible side-by-side cartridges



Plastic Cartridge
1400mL / 3:1

3:1	mm	inch
a	235.0	9.25
b	Ø97.0	Ø3.8
c	Ø57.0	Ø2.25

Conversion kits

Matching accessories



MK™ 2-Component Dispenser

TS483 XM

A 2-component pneumatic bead dispenser for 400mL cartridges.



Model shown: TS483 XM 400mL

Product advantages

- Air operated plunger retraction
- One hand pressure adjustment
- Anti-drip function
- Long life technology
- Warranty up to 2 years*

Customer benefits

- Quick cartridge exchange
- Simple dispensing speed adjustment
- Clean application
- Precise working
- Gives you long worry free performance

Applications



Bonding



Sealing

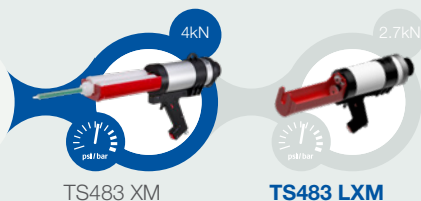


Repair



Shimming

Product by range



TS483 XM

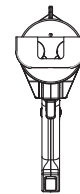
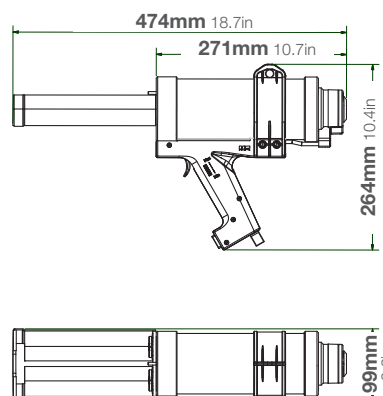
TS483 LXM

The **MK TS483 XM** is part of a range of pneumatic dispensers. Designed for use with medium to high viscosity sealants and adhesives.

Specifications

- Lightweight: 2.6kg / 5.6lbs
- Cartridge Holder Length: 203mm / 8in
- Maximum Thrust: 4kN
- Maximum Pneumatic Pressure: 8bar / 116psi
- Air Consumption: 40 litres/min
- Handle Material: Reinforced Nylon
- Cartridge Holder Material: Aluminum
- Frame Material: Steel
- Tool Component Approvals: CE
- Cartridge Capacity: 400mL (14.1oz)
- Cartridge Ratio: 1:1
- Standard Color: Black/Red
- Customized versions on demand

Dimensions



Part number:

DP2 400-40-200

Article number:

152309

Packaging:

1 per Box

Matching MIXPAC™ side-by-side cartridges



C-System
400mL / 1:1 PP/PA



F-System
400mL / 1:1 PP/PBT

Compatible side-by-side cartridges



Plastic cartridge
400mL / 1:1 PP

1:1	mm	inch
a	185.5	7.3
b	Ø40.0	Ø1.6

Conversion kits

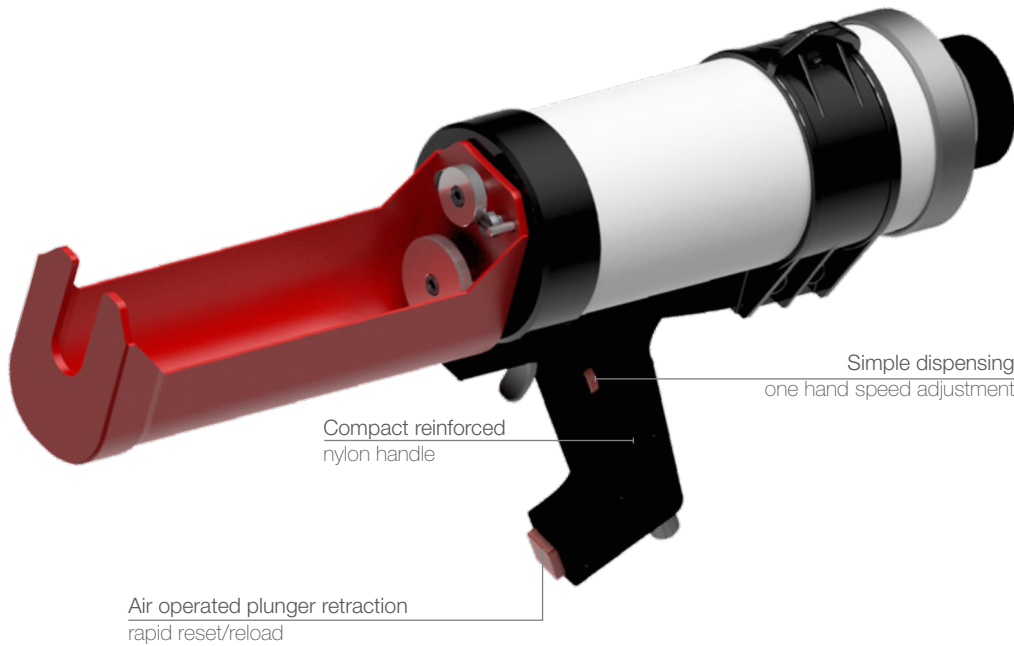
Matching accessories



MK™ 2-Component Dispenser

TS483 LXM

A 2-component pneumatic bead dispenser for 400mL cartridges.



Sulzer | 2-Component MK Dispenser | 76

Model shown: TS483 LXM 400mL

Product advantages

- Air operated plunger retraction
- One hand pressure adjustment
- Anti-drip function
- Long life technology
- Warranty up to 2 years*

Customer benefits

- Quick cartridge exchange
- Simple dispensing speed adjustment
- Clean application
- Precise working
- Gives you long worry free performance

Applications



Bonding



Sealing



Repair



Shimming

Product by range



TS483 XM

TS483 LXM

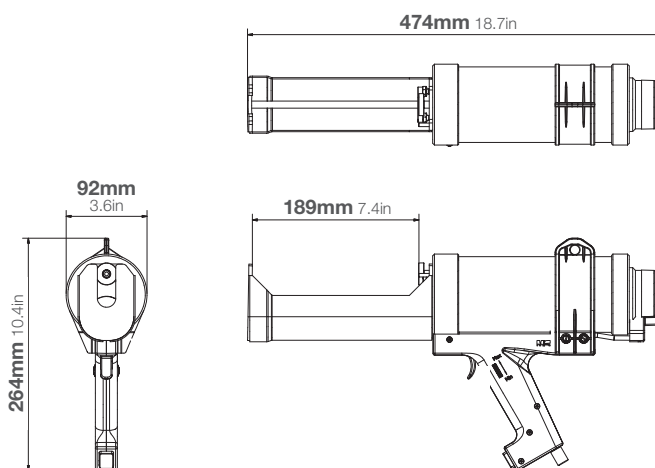
*Effective 1st July 2018

The **MK TS483 LXM** is part of a range of pneumatic dispensers. Designed for use with low to medium viscosity sealants and adhesives.

Specifications

- Lightweight: 2.6kg / 5.6lbs
- Cartridge Holder Length: 189mm / 7.4in
- Maximum Thrust: 2.7kN
- Maximum Pneumatic Pressure: 8bar / 116psi
- Air Consumption: 40 litres/min
- Handle Material: Reinforced Nylon
- Cartridge Holder Material: Aluminum
- Frame Material: Steel
- Tool Component Approvals: CE
- Cartridge Capacity: 400mL (14.1oz)
- Cartridge Ratio: 1:1
- Standard Color: Black/Red
- Customized versions on demand

Dimensions



Part number:

DP2 400-27-100

Article number:

151788

Packaging:

1 per Box

Matching MIXPAC™ side-by-side cartridges



C-System
400mL / 1:1 PP/PA



F-System
400mL / 1:1 PP/PBT

Compatible side-by-side cartridges



Plastic cartridge
400mL / 1:1 PP

1:1	mm	inch
a	185.5	7.3
b	Ø40.0	Ø1.6

Conversion kits

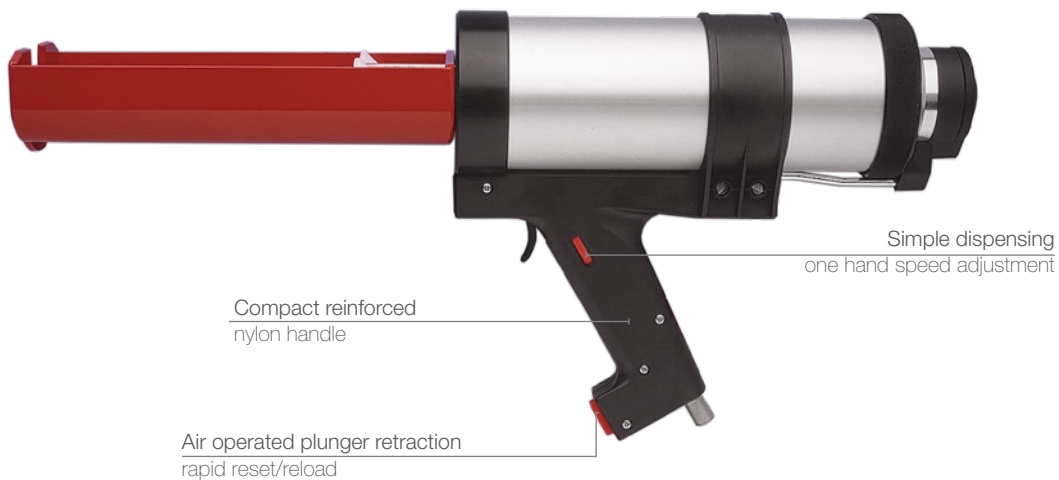
Matching accessories



MK™ 2-Component Dispenser

TS488 X

A 2-component pneumatic bead dispenser for 600mL cartridges.



Model shown: TS488 X 600mL

Product advantages

- Air operated plunger retraction
- One hand pressure adjustment
- Anti-drip function
- Long life technology
- Warranty up to 2 years*

Customer benefits

- Quick cartridge exchange
- Simple dispensing speed adjustment
- Clean application
- Precise working
- Gives you long worry free performance

Applications



Product by range

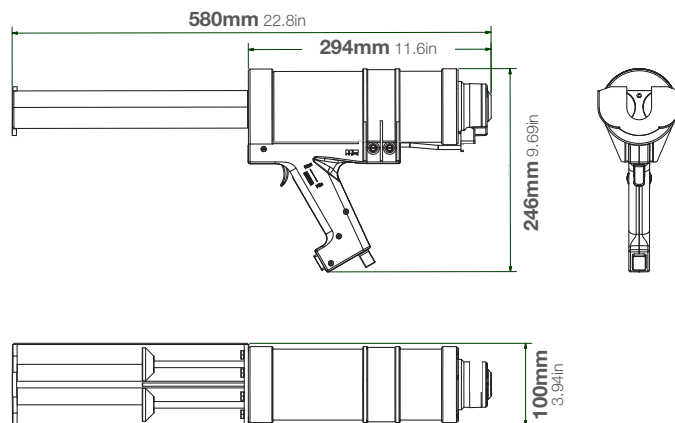


The **MK TS488 X** is part of a range of pneumatic dispensers. Designed for use with medium viscosity sealants and adhesives.

Specifications

- Lightweight: 2.5kg / 5.5lbs
- Cartridge Holder Length: 286mm / 11.2in
- Maximum Thrust: 4kN
- Maximum Pneumatic Pressure: 8bar / 116psi
- Air Consumption: 40 litres/min
- Handle Material: Reinforced Nylon
- Barrel Material: Aluminum
- Cartridge Holder Material: Steel
- Tool Component Approvals: CE
- Cartridge Capacity: 600mL (21.1oz)
- Cartridge Ratio: 1:1
- Standard Color: Black/Grey/Red
- Customized versions on demand

Dimensions



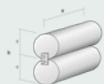
Part number:
DP2 600-4-400

Article number:
152899

Packaging:
1 per Box

Matching MIXPAC™ cartridges

Compatible side-by-side cartridges



Plastic cartridge
600mL / 1:1

1:1	mm	inch
a	219.0	8.62
b	97.0	3.81
c	Ø48.0	Ø1.88

Conversion kits

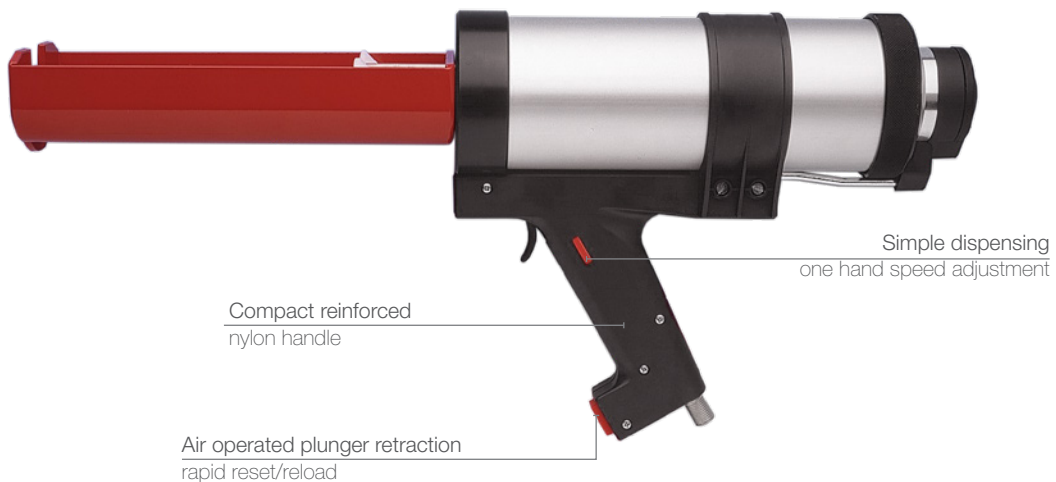
Matching accessories



MK™ 2-Component Dispenser

TS488 XM

A 2-component pneumatic bead dispenser for 600mL cartridges.



Sulzer | 2-Component MK Dispenser | 80

Model shown: TS488 XM 600mL

Product advantages

- Air operated plunger retraction
- One hand pressure adjustment
- Anti-drip function
- Long life technology
- Warranty up to 2 years*

Customer benefits

- Quick cartridge exchange
- Simple dispensing speed adjustment
- Clean application
- Precise working
- Gives you long worry free performance

Applications



Product by range



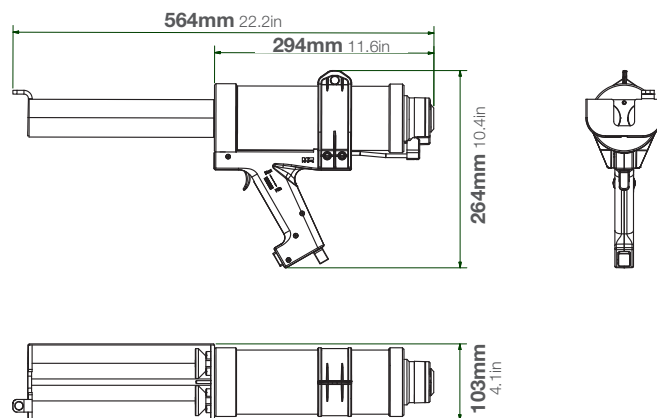
*Effective 1st July 2018

The **MK TS488 XM** is part of a range of pneumatic dispensers. Designed for use with medium viscosity sealants and adhesives.

Specifications

- Lightweight: 2.5kg / 5.5lbs
- Cartridge Holder Length: 270mm / 10.6in
- Maximum Thrust: 4kN
- Maximum Pneumatic Pressure: 8bar / 116psi
- Air Consumption: 40 litres/min
- Handle Material: Reinforced Nylon
- Cartridge Holder Material: Aluminum
- Frame Material: Steel
- Tool Component Approvals: CE
- Cartridge Capacity: 600mL (21.1oz)
- Cartridge Ratio: 1:1
- Standard Color: Black/Grey/Red
- Customized versions on demand

Dimensions



Part number:

DP2 600-40-200

Article number:

152352

Packaging:

1 per Box

Matching MIXPAC™ side-by-side cartridges



J-System
600mL / 1:1 PP

Compatible cartridges

Conversion kits

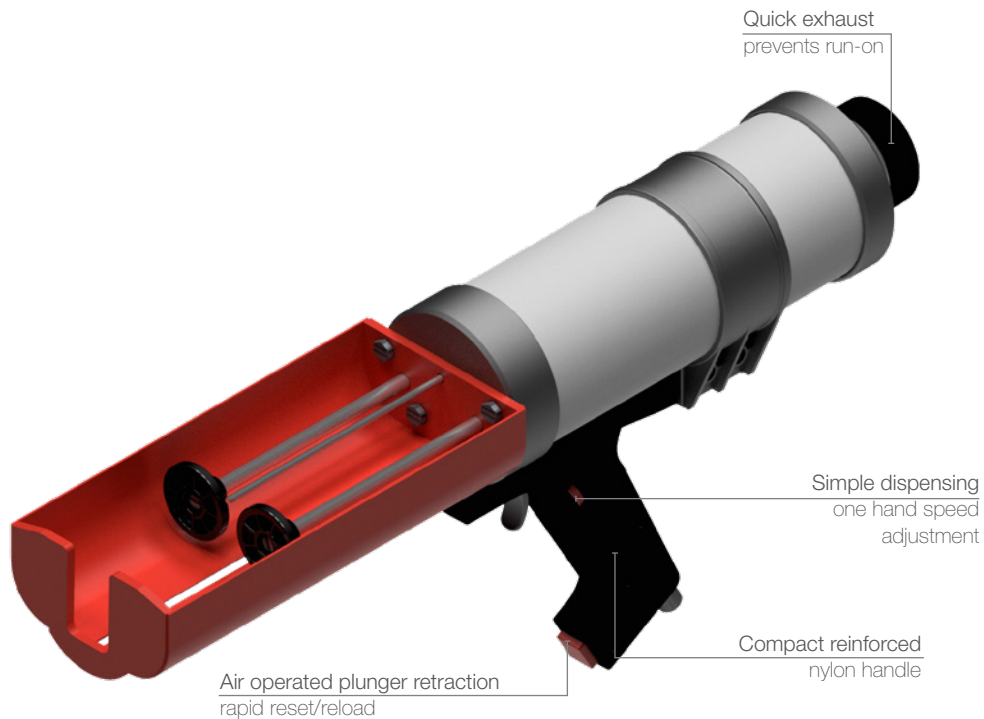
Matching accessories



MK™ 2-Component Dispenser

TS493 X(T)

A 2-component pneumatic bead dispenser for 600mL cartridges.



Model shown: TS493 X(T) 600mL

Product advantages

- Air operated plunger retraction
- One hand pressure adjustment
- Anti-drip function
- Long life technology
- Warranty up to 2 years*

Customer benefits

- Quick cartridge exchange
- Simple dispensing speed adjustment
- Clean application
- Precise working
- Gives you long worry free performance

Applications



Product by range

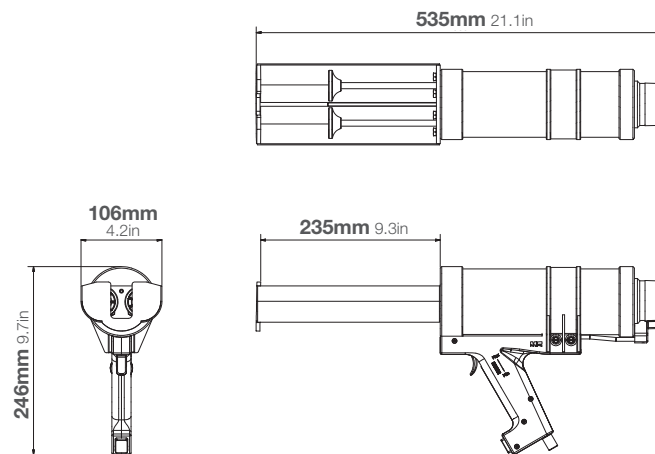


The **MK TS493 X(T)** is part of a range of pneumatic dispensers. Designed for use with medium viscosity sealants and adhesives.

Specifications

- Lightweight: 2.6kg / 5.6lbs
- Cartridge Holder Length: 235mm / 9.3in
- Maximum Thrust: 4kN
- Maximum Pneumatic Pressure: 8bar / 116psi
- Air Consumption: 40 litres/min
- Handle Material: Reinforced Nylon
- Cartridge Holder Material: Aluminum
- Frame Material: Steel
- Tool Component Approvals: CE
- Cartridge Capacity: 600mL (21.1oz)
- Cartridge Ratio: 1:1
- Standard Color: Black/Red
- Customized versions on demand

Dimensions



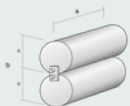
Part number:
DP2 600-40-100

Article number:
151790

Packaging:
1 per Box

Matching MIXPAC™ cartridges

Compatible side-by-side cartridges



Plastic cartridge
600mL / 1:1

1:1	mm	inch
a	217.0	8.54
b	102.0	4.01
c	Ø 51.0	Ø 2.0

Conversion kits







Matching accessories

MK™ 2-Component Dispensers



Accessories

Make the most of your dispenser with the following range of MK accessories.

Name/Description:	Part Number:	Compatible with:
Sealing Sticks		
 Sealing Stick / Wood The wood Sealing Stick is available in the following standard dimensions: 6mm, 8mm, 10mm, 15mm, 20mm, 25mm, 30mm, 40mm	094	Tool for all applications
Pistons		
 Piston for Cartridge	1407	TS493 X(T)
Battery		
 Lithium-ion Battery 18V (2.0Ah)	90040K	MK 2K B900 series
 Universal Battery Charger 18V options available	90041C	MK 2K B900 series
General accessories		
 Converter kit (1:1, 2:1, 3:1, 4:1)	DKK-410208K	H299 SM
 Sholuder strap	DKK-410244K	H299 SM

Smart Dispensing

Headquarters / Europe

Sulzer Mixpac Ltd
Ruetistrasse 7
9469 Haag, Switzerland
phone +41 81 772 20 00
fax +41 81 772 20 01
mixpac@sulzer.com
www.sulzer.com

USA, South America, Canada and Mexico

Sulzer Mixpac USA Inc.
8 Willow St.
Salem, NH 03079, USA
phone +1 603 893 2727
info@SulzerMixpacUSA.com
www.sulzer.com

UK and Ireland

Sulzer Mixpac (UK) Ltd.
1 Tealgate, Charnham Park, Hungerford
Berkshire, RG17 0YT, United Kingdom
phone: +44 (0)1488 647 800
coxsales@sulzer.com
www.coxdispensers.com

Asia Pacific

Sulzer Mixpac China
68 Bei Dou Lu, Minhang
Shanghai 200245, China
phone +86 21 6430 68 68
mixpac@sulzer.com
www.sulzer.com