



# MIXPAC™ 2-Component Dispenser

## MIXPAC™ DP 400-100

A pneumatic operated dispenser for cartridges.

### Dispense Indicator

To quickly see how much material is remaining in the cartridge

### Support Tray

Cartridge snap fit  
Easy to exchange and replace

### Cartridge Release Button

Conveniently located to provide easiest cartridge ejection

### Trigger

Safety feature.  
Dispenser will not operate unless cartridge is installed

### Counter Balance Mount

To suspend cartridge

### Quick Exhaust

To relieve pressure and prevent oozing and dripping

### Release Button

Easily accessible with one hand

Regulator:  
adjust output force



### Product advantages

- Designed specifically for Mixpac C and F System Cartridges
- Cartridge snap fit
- One-hand-operation
- Integrated anti-drip feature

### Customer benefits

- Easy cartridge positioning and fixation
- Ergonomic
- High precision and dispensing accuracy
- Can easily be converted into all ratios with proper conversion kits.

### Applications



Bonding



Sealing



Repair

### Product by range

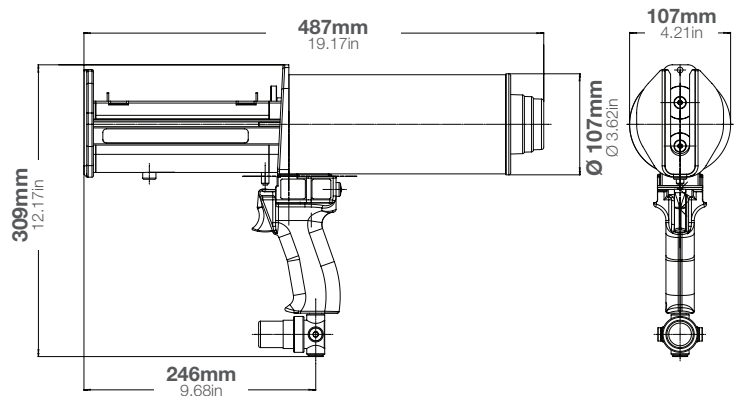


# The MIXPAC™ DP 400-100 - designed to provide reliable 2-component dispensing.

## Specifications

- Weight 2.41kg / 5.31lbs
- Length: 487mm / 19.2in
- Maximum Thrust: 4.5kN
- Tool material: cast aluminium and reinforced nylon
- Cartridge capacity: 400mL
- Cartridge ratio: 1:1/2:1/4:1/10:1
- Air inlet: G 1/4in
- Max operating pressure: 6.8 bar

## Dimensions

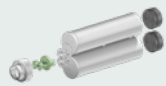


Part number:	Article number:	Ratio			
		1:1	2:1	4:1	10:1
DP 400-100-01	114466	✓	✓		
DP 400-100-04	114559			✓	
DP 400-100-10	114465				✓

## Packaging:

Packed individually 1 units per master carton

## Matching MIXPAC™ cartridges (C-System and F-System)



400mL / 1:1  
PP/PA



400mL / 2:1  
PP/PA

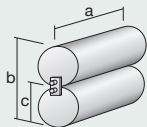


400mL / 4:1  
PP/PBT

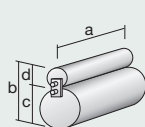


400mL / 10:1  
PP/PBT

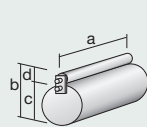
## Other matching cartridges



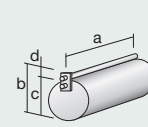
1:1	mm	inch
a	185	7.28
b	93	3.66
c	Ø 45	Ø 1.77



2:1	mm	inch
a	185	7.28
b	96	3.78
c	Ø 52	Ø 2.05
d	Ø 37	Ø 1.46



4:1	mm	inch
a	185	7.28
b	91	3.58
c	Ø 58	Ø 2.28
d	Ø 30	Ø 1.18



10:1	mm	inch
a	185	7.28
b	94	3.70
c	Ø 66	Ø 2.60
d	Ø 24	Ø 0.94

## Conversion kits

CK 400-100-01, CK 400-100-04, CK 400-100-10, See page 18.

## Matching accessories

All accessories are displayed on page 18.