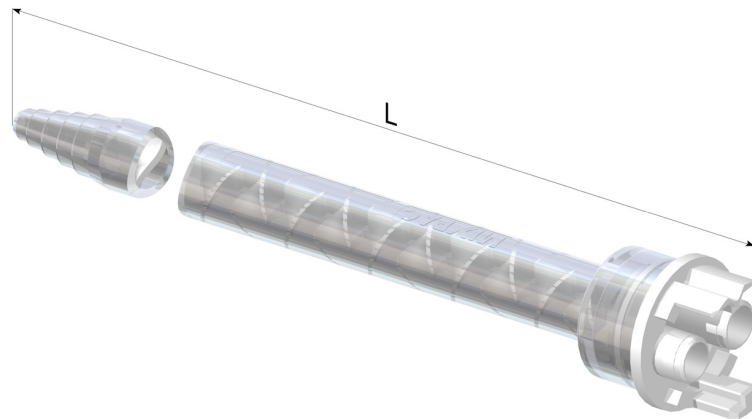


F-System 200 / 400 Industrial

Mixer Helix for System F 200 / 400, 1:1/2:1



Part number	Article	Description	Elements	Ø (mm)	L (mm)	Vol. (ml)	Units / box
102466	MFH 06-18T	Mixer helix, 1:1/2:1 white elements, stepped tip	18	6.0	156	4.36	1'700
102467	MFH 06-24T	Mixer helix, 1:1/2:1 white elements, stepped tip	24	6.0	194	5.40	1'400
116040	MFH 06-32T	Mixer helix, 1:1/2:1 white elements, stepped tip	32	6.0	245	6.65	700
102468	MFH 08-18T	Mixer helix, 1:1/2:1 white elements, stepped tip	18	8.0	187	7.40	1'400
102469	MFH 08-24T	Mixer helix, 1:1/2:1 white elements, stepped tip	24	8.0	234	9.30	1'200
102470	MFH 08-32T	Mixer helix, 1:1/2:1 white elements, stepped tip	32	8.0	297	11.85	900
102471	MFH 10-18T	Mixer helix, 1:1/2:1 white elements, stepped tip	18	10.0	224	13.09	1'000
102472	MFH 10-24T	Mixer helix, 1:1/2:1 white elements, stepped tip	24	10.0	283	16.89	900
110583	MFH 10-32T	Mixer helix, 1:1/2:1 white elements, stepped tip	32	10.0	362	21.94	500

Headquarters

Sulzer Mixpac Ltd
phone +41 81 772 20 00
fax +41 81 772 20 01
mixpac@sulzer.com
www.sulzerchemtech.com

USA, South America, Canada and Mexico

Sulzer Mixpac USA Inc.
phone +1 603 893 27 27
fax +1 603 893 37 37
info@SulzerMixpacUSA.com
www.sulzerchemtech.com

UK and Ireland

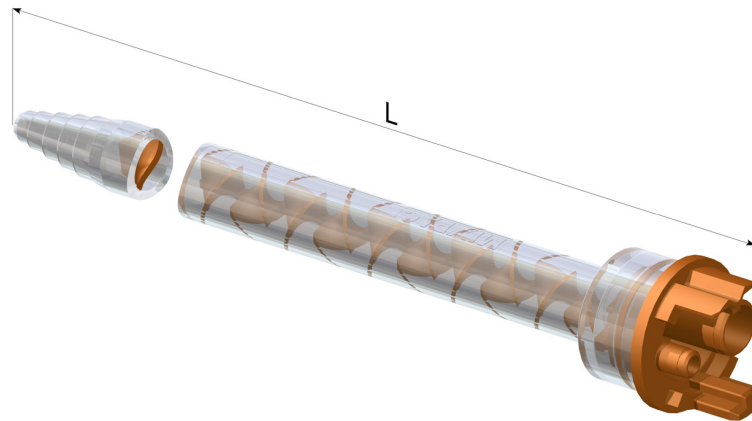
Sulzer Mixpac UK
phone +44 1536 31 29 90
fax +44 1536 31 29 85
mixpac@sulzer.com
www.sulzerchemtech.com

Asia Pacific

Sulzer Mixpac China
phone +86 21 6430 68 68
fax +86 21 6430 66 88
mixpac@sulzer.com
www.sulzerchemtech.com

F-System 200 / 400 Industrial

Mixer Helix for System F 200 / 400, 4:1/10:1



Part number	Article	Description	Elements	Ø (mm)	L (mm)	Vol. (ml)	Units / box
102473	MFHX 06-18T	Mixer helix, 4:1/10:1 orange elements, stepped tip	18	6.0	156	4.16	1'700
102474	MFHX 06-24T	Mixer helix, 4:1/10:1 orange elements, stepped tip	24	6.0	194	5.20	1'400
113275	MFHX 06-32T	Mixer helix, 4:1/10:1 orange elements, stepped tip	32	6.0	245	6.56	1'200
102475	MFHX 08-18T	Mixer helix, 4:1/10:1 orange elements, stepped tip	18	8.0	187	7.28	1'400
102476	MFHX 08-24T	Mixer helix, 4:1/10:1 orange elements, stepped tip	24	8.0	234	9.14	1'200
112720	MFHX 08-32T	Mixer helix, 4:1/10:1 orange elements, stepped tip	32	8.0	296	11.55	900
102477	MFHX 10-18T	Mixer helix, 4:1/10:1 orange elements, stepped tip	18	10.0	224	12.96	1'000
102478	MFHX 10-24T	Mixer helix, 4:1/10:1 orange elements, stepped tip	24	10.0	283	16.70	900
113250	MFHX 10-32T	Mixer helix, 4:1/10:1 orange elements, stepped tip	32	10.0	363	21.22	500

Headquarters

Sulzer Mixpac Ltd
phone +41 81 772 20 00
fax +41 81 772 20 01
mixpac@sulzer.com
www.sulzerchemtech.com

USA, South America, Canada and Mexico

Sulzer Mixpac USA Inc.
phone +1 603 893 27 27
fax +1 603 893 37 37
info@SulzerMixpacUSA.com
www.sulzerchemtech.com

UK and Ireland

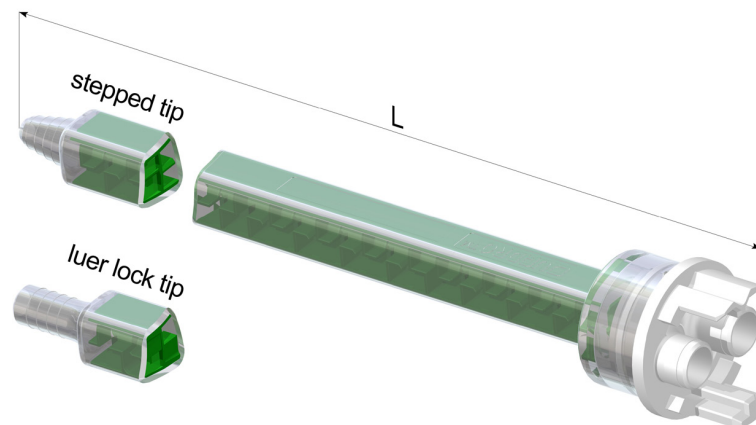
Sulzer Mixpac UK
phone +44 1536 31 29 90
fax +44 1536 31 29 85
mixpac@sulzer.com
www.sulzerchemtech.com

Asia Pacific

Sulzer Mixpac China
phone +86 21 6430 68 68
fax +86 21 6430 66 88
mixpac@sulzer.com
www.sulzerchemtech.com

F-System 200 / 400 Industrial

Mixer Quadro for System F 200 / 400, 1:1/2:1



Part number	Article	Description	Elements	∅ (mm)	L (mm)	Vol. (ml)	Units / box
116032	MFQ 05-16L	Mixer quadro, 1:1/2:1 green elements, white interface, luer lock tip	16	5.3	100	2.9	5'000
116033	MFQ 05-24L	Mixer quadro, 1:1/2:1 green elements, white interface, luer lock tip	24	5.3	132	3.52	3'000
116034	MFQ 07-24T	Mixer quadro, 1:1/2:1 green elements, white interface, stepped tip	24	7.5	137	6.11	1'500
115959	MFQ 08-24T	Mixer quadro, 1:1/2:1 green elements, white interface, stepped tip	24	8.7	155	8.69	750
116035	MFQ 10-24T	Mixer quadro, 1:1/2:1 green elements, white interface, stepped tip	24	10.7	181	14.75	1'500

Headquarters

Sulzer Mixpac Ltd
phone +41 81 772 20 00
fax +41 81 772 20 01
mixpac@sulzer.com
www.sulzerchemtech.com

USA, South America, Canada and Mexico

Sulzer Mixpac USA Inc.
phone +1 603 893 27 27
fax +1 603 893 37 37
info@SulzerMixpacUSA.com
www.sulzerchemtech.com

UK and Ireland

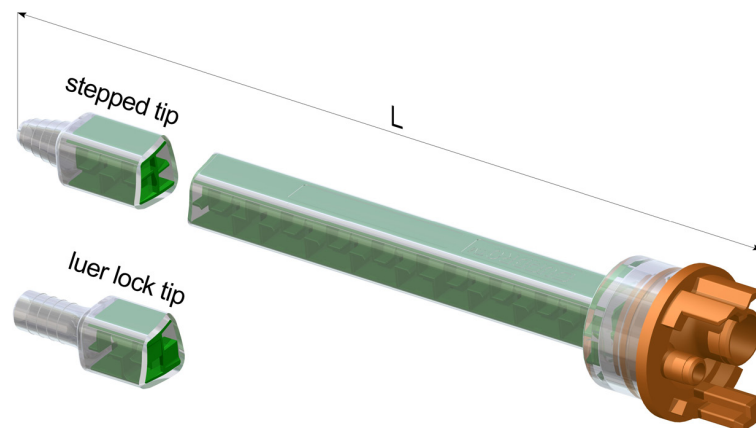
Sulzer Mixpac UK
phone +44 1536 31 29 90
fax +44 1536 31 29 85
mixpac@sulzer.com
www.sulzerchemtech.com

Asia Pacific

Sulzer Mixpac China
phone +86 21 6430 68 68
fax +86 21 6430 66 88
mixpac@sulzer.com
www.sulzerchemtech.com

F-System 200 / 400 Industrial

Mixer Quadro for System F 200 / 400, 4:1/10:1



Part number	Article	Description	Elements	□ (mm)	L (mm)	Vol. (ml)	Units / box
116036	MFQX 05-16L	Mixer quadro, 4:1/10:1, green elements, orange interface, luer lock tip	16	5.3	101	3.07	5'000
116037	MFQX 05-24L	Mixer quadro, 4:1/10:1, green elements, orange interface, luer lock tip	24	5.3	132	3.69	3'000
116038	MFQX 07-24T	Mixer quadro, 4:1/10:1, green elements, orange interface, stepped tip	24	7.5	137	6.28	1'500
116039	MFQX 08-24T	Mixer quadro, 4:1/10:1, green elements, orange interface, stepped tip	24	8.7	155	8.86	750
116044	MFQX 10-24T	Mixer quadro, 4:1/10:1, green elements, orange interface, stepped tip	24	10.7	181	14.92	1'500

Headquarters

Sulzer Mixpac Ltd
phone +41 81 772 20 00
fax +41 81 772 20 01
mixpac@sulzer.com
www.sulzerchemtech.com

USA, South America, Canada and Mexico

Sulzer Mixpac USA Inc.
phone +1 603 893 27 27
fax +1 603 893 37 37
info@SulzerMixpacUSA.com
www.sulzerchemtech.com

UK and Ireland

Sulzer Mixpac UK
phone +44 1536 31 29 90
fax +44 1536 31 29 85
mixpac@sulzer.com
www.sulzerchemtech.com

Asia Pacific

Sulzer Mixpac China
phone +86 21 6430 68 68
fax +86 21 6430 66 88
mixpac@sulzer.com
www.sulzerchemtech.com