

# QUADRIAXIAL -45°/90°/+45°/0° CARBON FIBER FABRIC

Product Code : SKY800Q2-127T5Z

Material	Fiber Orientation	Areal Weight (g/m <sup>2</sup> )	Tolerance	
			Minimum g/m <sup>2</sup>	Maximum g/m <sup>2</sup>
Carbon Fiber	+45°	200	190	210
Carbon Fiber	90°	200	190	210
Carbon Fiber	-45°	200	190	210
Carbon Fiber	0°	200	190	210
Polyester Knitting yarns	Tricot	7	5	9
<b>Total</b>		<b>807</b>	<b>765</b>	<b>849</b>

## Fabric Construction:

**Stitch Length** 2,8 mm

**Stitch Pattern** Tricot

**Stitch Gauge** E5

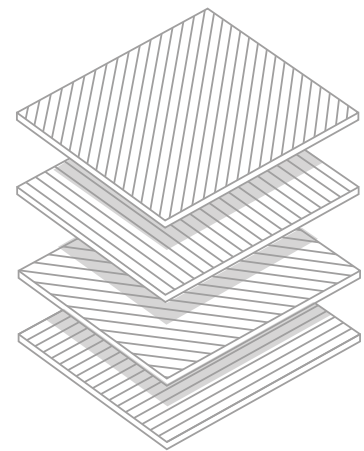
**Stitch Materials:** Polyester 76 dtex

**Carbon Fiber Type:** Industrial 50K, Zoltek PX35

**Roll Width** 127 cm\*

**Roll Length** 50 m

**Roll Weight** 51,24 kg



\*Customized widths are available up to 2,54 meters

Note: Technical information furnished is based on laboratory findings and believed to be correct, No warranties of any kind are made except that the materials supplied are of standard quality, All risk and liabilities arising from handling, storage and use of products, as well as compliance with applicable legal restrictions, rests with the user,

