

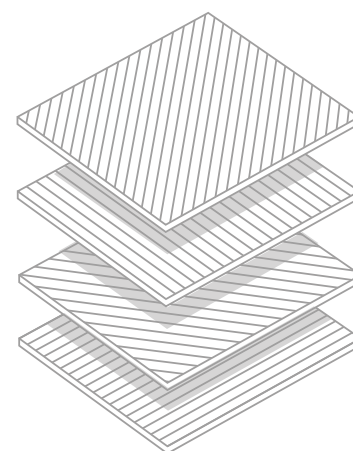
# QUADRAXIAL -45°/90°/±45°/0° CARBON FIBER FABRIC

Product Code : SKY400Q2-127T5Z

Material	Fiber Orientation	Areal Weight (g/m <sup>2</sup> )	Tolerance	
			Minimum g/m <sup>2</sup>	Maximum g/m <sup>2</sup>
Carbon Fiber	-45°	100	90	110
Carbon Fiber	90°	100	90	110
Carbon Fiber	+45°	100	90	110
Carbon Fiber	0°	100	90	110
Polyester Knitting yarns	Tricot	7	5	9
<b>Total</b>		<b>407</b>	<b>365</b>	<b>449</b>

## Fabric Construction:

<b>Stitch Length</b>	2,8 mm	
<b>Stitch Pattern</b>	Tricot	
<b>Stitch Gauge</b>	E5	
<b>Stitch Materials:</b>	Polyester 76 dtex	
<b>Carbon Fiber Type:</b>	Industrial 50K, Zoltek PX35	
<b>Roll Width</b>	127 cm*	
<b>Roll Length</b>	50 m	100 m
<b>Roll Weight</b>	25,84 kg	51,69 kg



\*Customized widths are available up to 2,54 meters

